

2

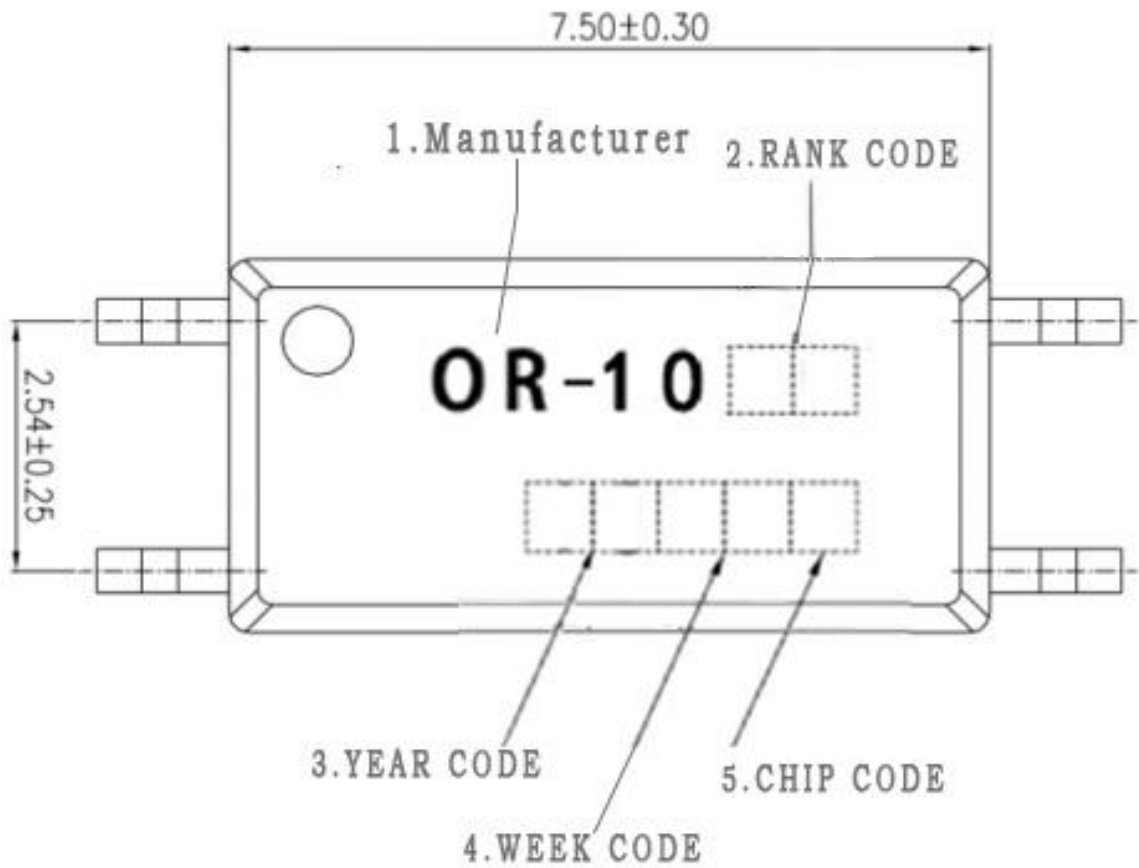
		Parameter	Symbol	Condition	Min	Typ.*	Max	Unit
Input	F	C	V_F	$I_F=50mA$	---	1.25	1.6	V
			I_R	$V_R=4V$	---	---	10	μA
			C_t	$V=0, f=1MHz$	---	50	---	pF
Output	C	C	I_{CEO}	$V_{CE}=20V, I_F=0mA$	---	10	100	nA
	C	E	BV_{CEO}	$I_C=1mA, I_F=0mA$	80	---	---	V
	E	C	BV_{ECO}	$I_E=0.1mA, I_F=0mA$	7	---	---	V
	*1	C	I_{B00}	$A_{Op}0VI$	---	0	0	l

Transforming Characteristics

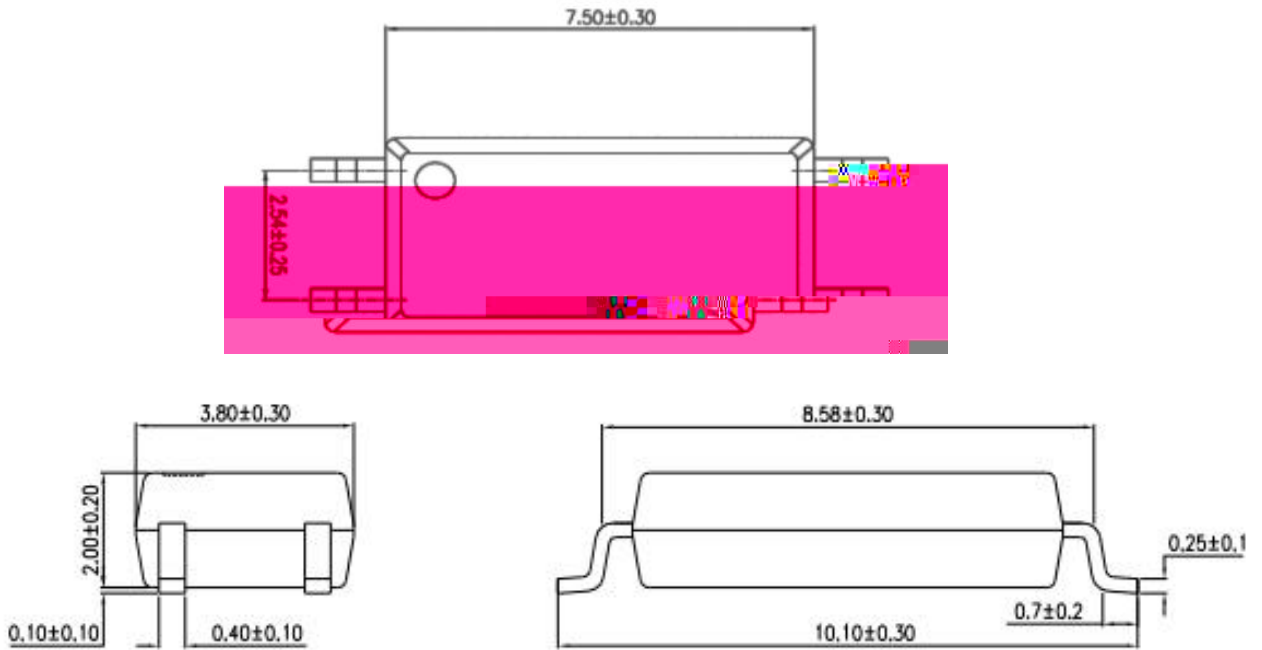
*1 C C = I_C / I_F 100%, C : 3%.



C					C
-1000	50		600	%	IF=5 A, CE=5 , =25
-1001	100		160		
-1004	100		200		
-1005	50		150		
-1006	100		300		
-1007	80		160		
-1008	130		260		
-1009	200		400		
-1010	150		300		
-1019	250		500		
-1020	300		450		
-1002	22			%	IF=1 A, CE=5 , =25
-1003	34				
-1014	56				
-1015	63		125		
-1018	100		200		
-1002	63		125	%	IF=10 A, CE=5 , =25
-1003	100		200		
-1014	160		320		



- (1) L . C . , L .
- (2) C .
- (3) .
- (4) .
- (5) C C
- (6) -10 D
- (7) :



()

