

Schottky Diodes



Features

-
-
-
-
-

Typical Applications

Mechanical Data

- Package
- Terminals
- Polarity



■ Maximum Ratings

PARAMETER	SYMBOL	UNIT	15SQ045
	\leq		
	\leq		

NOTE

■ Electrical Characteristics

PARAMETER	SYMBOL	UNIT	TEST CONDITIONS	15SQ045

■ Thermal Characteristics

PARAMETER	SYMBOL	UNIT	15SQ045
	θ		

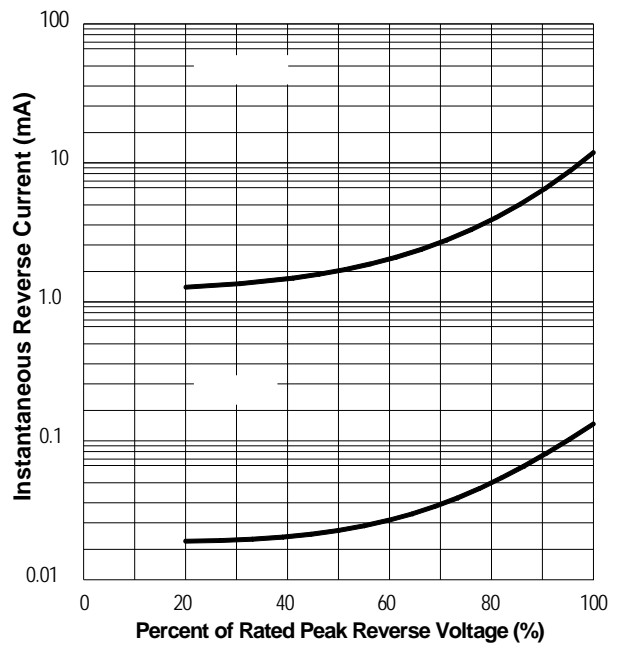
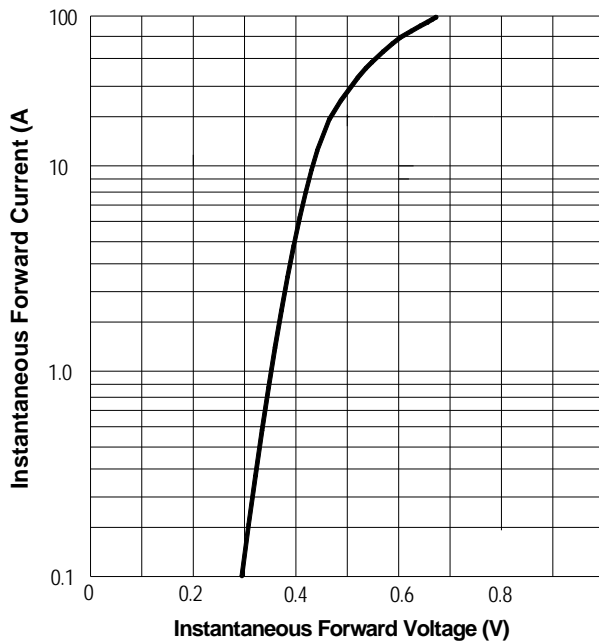
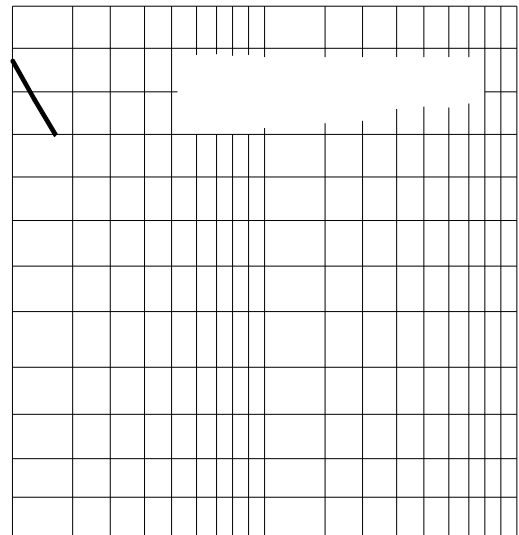
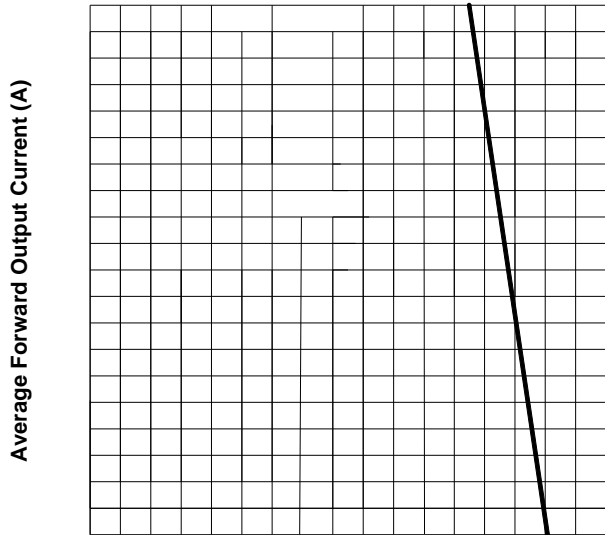


15SQ045

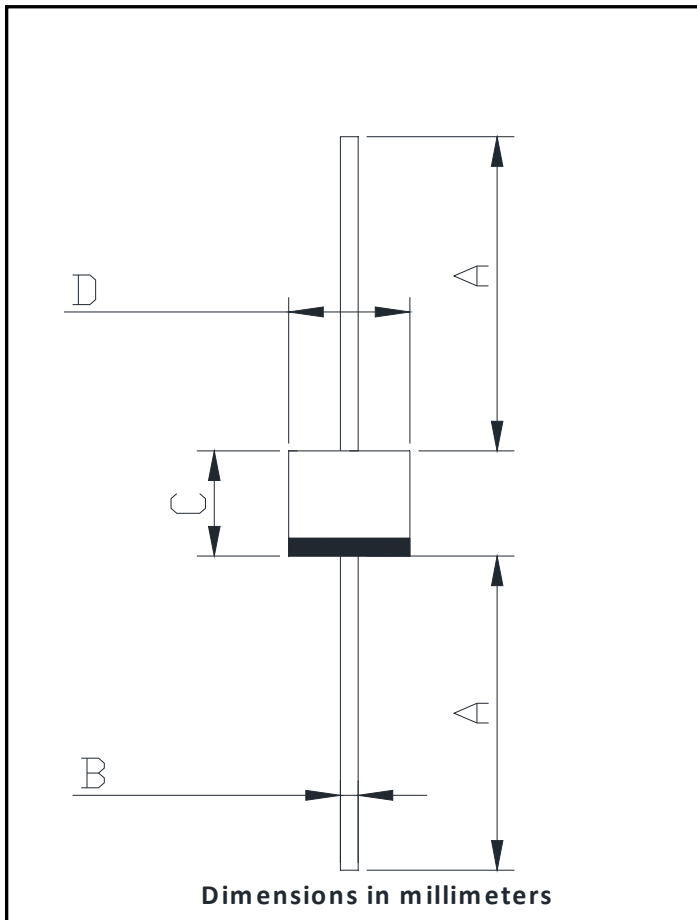
Ordering Information

PREFERED P/N	UNIT WEIGHT(g)	MINIIMUM PACKAGE(pcs)	INNER BOX QUANTITY(pcs)	OUTER CARTON QUANTITY(pcs)	DELIVERY MODE

Characteristics



■ Outline Dimensions



R-6		



Disclaimer

www.frxelec.com