

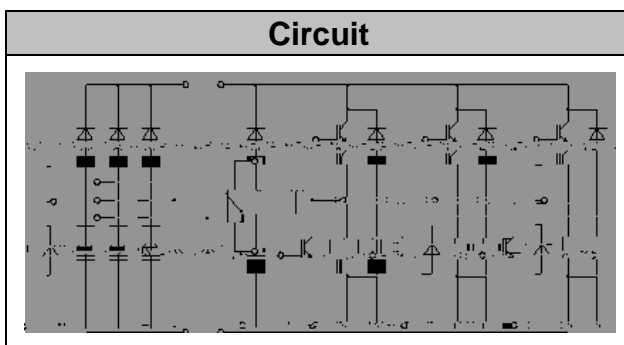
IGBT Modules

VCES

IC

Applications

Features



IGBT- inverter

Absolute Maximum Ratings

Parameter	Symbol	Conditions	Value	Unit



Diode-inverter Absolute Maximum Ratings

Parameter	Symbol	Conditions	Value	Unit

Characteristic values

Parameter	Symbol	Conditions	Value			Unit
			Min.	Typ.	Max.	



Diode-Brake-Chopper

Absolute Maximum Ratings

Parameter	Symbol	Conditions	Value	Unit



Diode-Rectifier Absolute Maximum Ratings

Parameter	Symbol	Conditions	Value	Unit

Characteristic values

Parameter	Symbol	Conditions	Value			Unit
			Min.	Typ.	Max.	

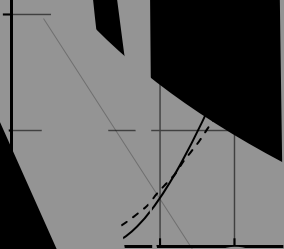
NTC-Thermistor

Characteristic values

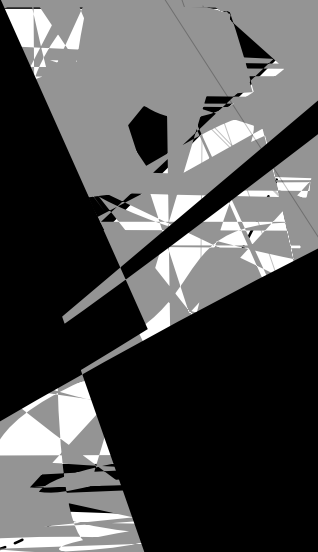
Parameter	Symbol	Conditions	Value			Unit
			Min.	Typ.	Max.	

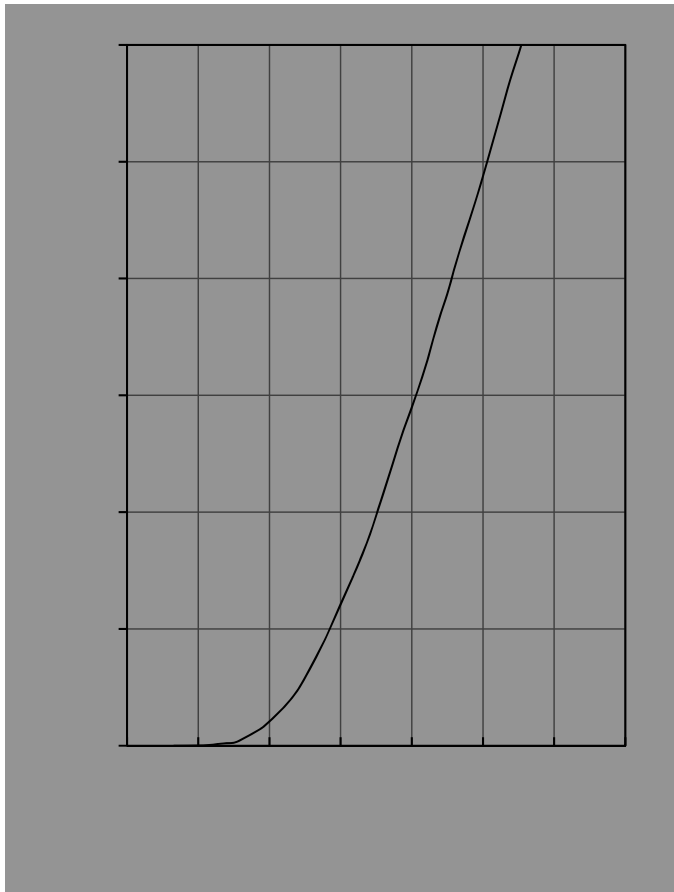
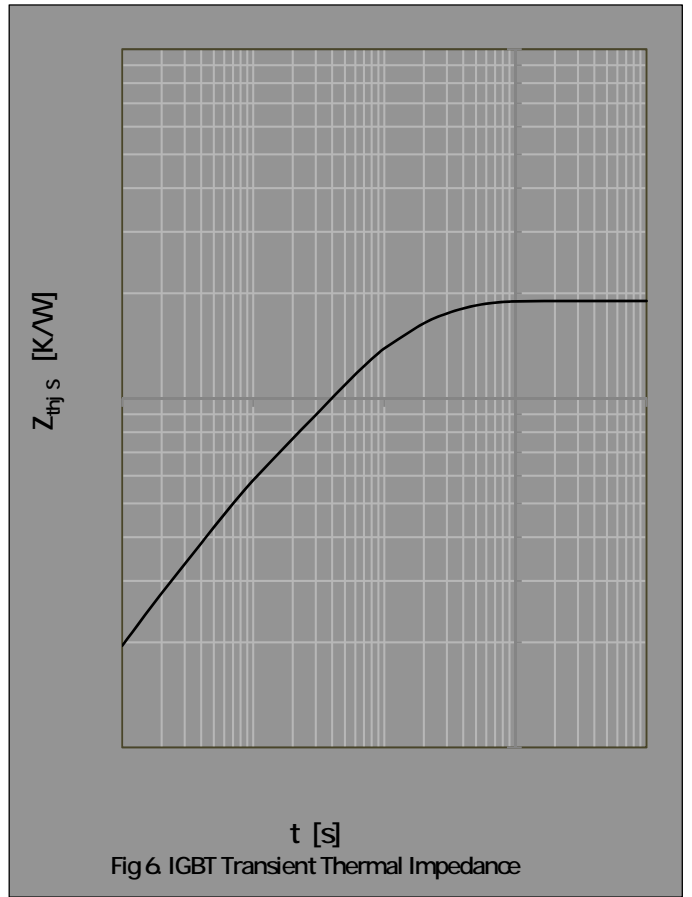
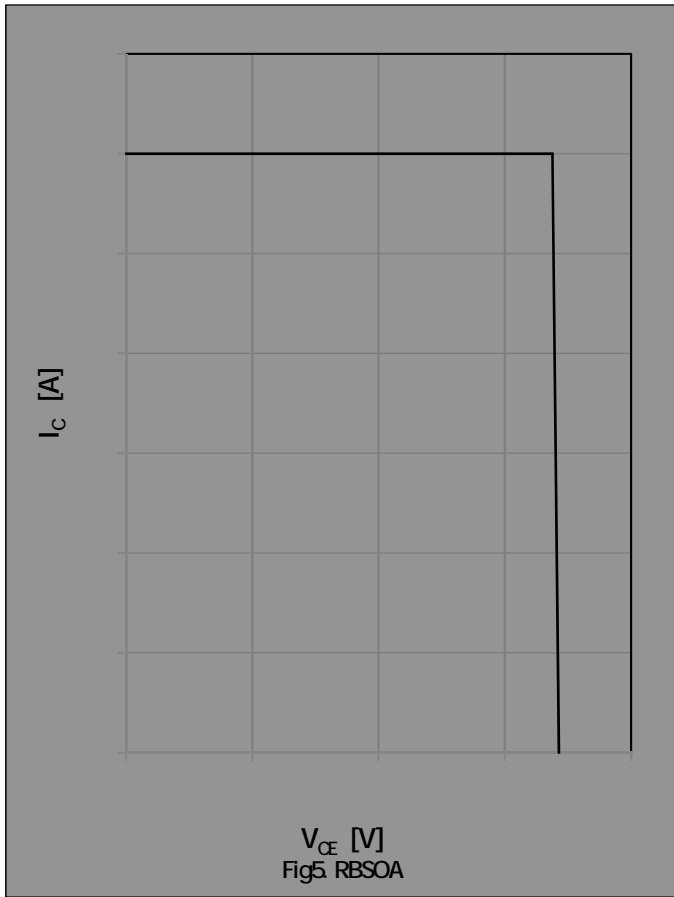


Ic [A]



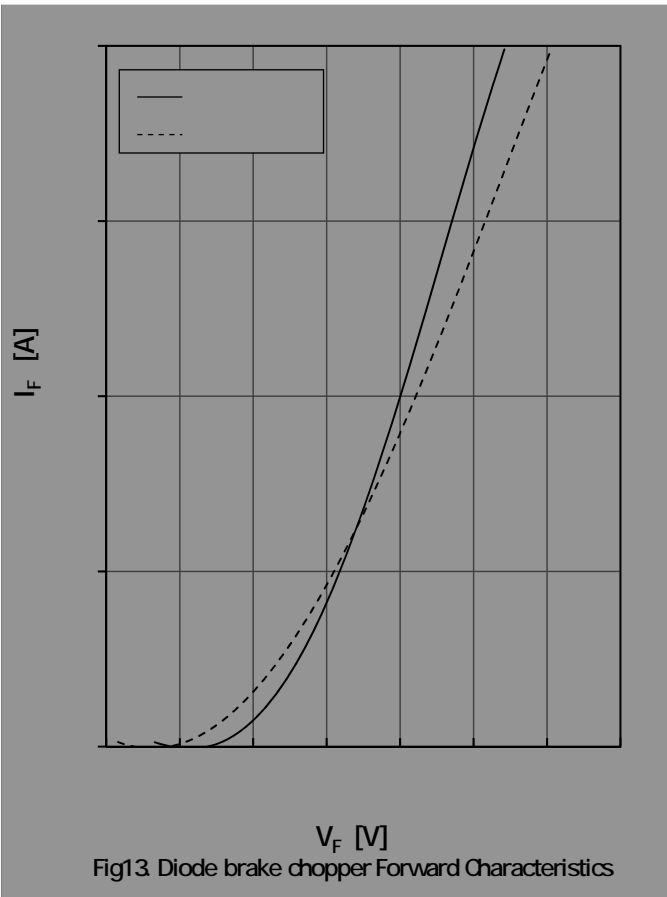
V_{CE} [V]
β AC Character







O I 37R34R4

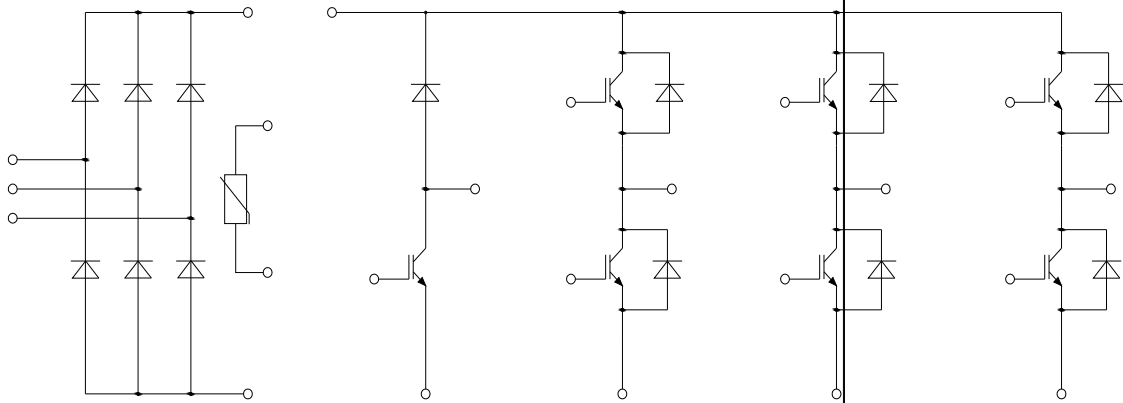




O I 37R34R4

RoHS
COMPLIANT

Circuit Diagram



Package Dimensions

