



TD356 Series

SOP4, DC Input Photo Transistor Coupler

Description

! " \$ %

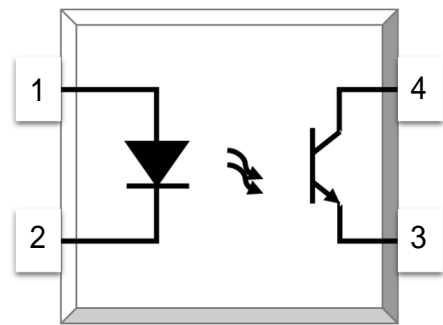
Features

& ' () * +
 , * - %
 ,
 . / ,
 * 1 , &
 &
 + 2 0
 * %
 32 . 320 ''
) 1 . 14 (' ' . . 5) 1 (66 . 7
 , 8 , 9 : ; "0\$:66;6

Applications

-
-
- &
- <

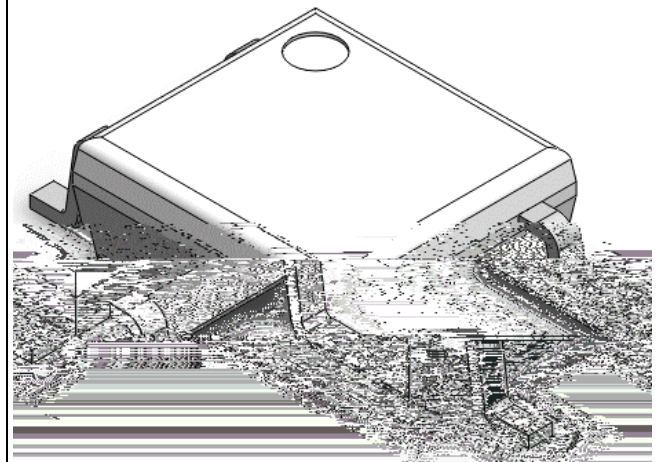
SCHEMATIC



PIN DEFINITION

1. Anode
2. Cathode
3. Emitter
4. Collector

PACKAGE OUTLINE





TD356 Series

SOP4, DC Input Photo Transistor Coupler

A ' SO# " TE MA (IM " M) ATIN ! S				
* +1 1 *	=+ : 2) 231	34>	4 1
>4 3				
?	>?	(
! ?	>?	0		0
* %))*)	
>	>	0((#	
3 3				
, . 1)), 1	6()	
1 . ,)) 1,	')	
, ,	> ,	(
		0 (#	
, ++ 4				
		@((#	
>))	((()	@
		. A00(/,	
		. A0@	/,	
		@ (/,	

! "#\$ %
&' () ! " * + , - .



TD356 Series

SOP4, DC Input Photo Transistor Coupler

E#ECT) ICA# OPTICA# CHA) ACTE) ISTICS at Ta*2+,C						
* +1 1*	=+ : 2	+>4	= " + B" 34>	1 , 4 > > 4	4 1	
>4 3						
?))?	.	0"@ 0"))	>?C0(
* % ,	>*	.	. 0(D) *C)		
> ,	,	.	0(. ?)C(\$ CO!&E		
3 3						
, ! ,	>,1	.	. 0(() , 1C@()\$>?C(
, .1 : !)	:) ,1	6(. .)	>, C("0 \$>?C(
1 ' , : !)	:) 1,	' . .)	>1C("0 \$>?C(
* 4 ?1* , & * , 1*> > ,						
,	:	,	,	*	F	>?C \$) , 1C)
*	0	:	0	:	0	
,	0	,	0	@	@	
,	0	,	0	@	@	
,	0	,	0	@	@	
,	0	,	0	@	@	
,	0	,	0	@	@	
,	0	,	0	@	@	
,	0	,	0	@	@	
,	0	,	0	@	@	
,	0	,	0	@	@	
,	0	,	0	@	@	
,	0	,	0	@	@	
,	0	,	0	@	@	
,	0	,	0	@	@	
,	0	,	0	@	@	
,	0	,	0	@	@	
,	0	,	0	@	@	
,	0	,	0	@	@	
,	0	,	0	@	@	
,	0	,	0	@	@	
,	0	,	0	@	@	
,	0	,	0	@	@	
,	0	,	0	@	@	
,	0	,	0	@	@	
,	0	,	0	@	@	
,	0	,	0	@	@	
,	0	,	0	@	@	
,	0	,	0	@	@	
,	0	,	0	@	@	
,	0	,	0	@	@	
,	0	,	0	@	@	
,	0	,	0	@	@	
,	0	,	0	@	@	
,	0	,	0	@	@	
,	0	,	0	@	@	
,	0	,	0	@	@	
,	0	,	0	@	@	
,	0	,	0	@	@	
,	0	,	0	@	@	
,	0	,	0	@	@	
,	0	,	0	@	@	
,	0	,	0	@	@	
,	0	,	0	@	@	
,	0	,	0	@	@	
,	0	,	0	@	@	
,	0	,	0	@	@	
,	0	,	0	@	@	
,	0	,	0	@	@	
,	0	,	0	@	@	
,	0	,	0	@	@	
,	0	,	0	@	@	
,	0	,	0	@	@	
,	0	,	0	@	@	
,	0	,	0	@	@	
,	0	,	0	@	@	
,	0	,	0	@	@	
,	0	,	0	@	@	
,	0	,	0	@	@	
,	0	,	0	@	@	
,	0	,	0	@	@	
,	0	,	0	@	@	
,	0	,	0	@	@	
,	0	,	0	@	@	
,	0	,	0	@	@	
,	0	,	0	@	@	
,	0	,	0	@	@	
,	0	,	0	@	@	
,	0	,	0	@	@	
,	0	,	0	@	@	
,	0	,	0	@	@	
,	0	,	0	@	@	
,	0	,	0	@	@	
,	0	,	0	@	@	
,	0	,	0	@	@	
,	0	,	0	@	@	
,	0	,	0	@	@	
,	0	,	0	@	@	
,	0	,	0	@	@	
,	0	,	0	@	@	
,	0	,	0	@	@	
,	0	,	0	@	@	
,	0	,	0	@	@	
,	0	,	0	@	@	
,	0	,	0	@	@	
,	0	,	0	@	@	
,	0	,	0	@	@	
,	0	,	0	@	@	
,	0	,	0	@	@	
,	0	,	0	@	@	
,	0	,	0	@	@	
,	0	,	0	@	@	
,	0	,	0	@	@	
,	0	,	0	@	@	
,	0	,	0	@	@	
,	0	,	0	@	@	
,	0	,	0	@	@	
,	0	,	0	@	@	
,	0	,	0	@	@	
,	0	,	0	@	@	
,	0	,	0	@	@	
,	0	,	0	@	@	
,	0	,	0	@	@	
,	0	,	0	@	@	
,	0	,	0	@	@	
,	0	,	0	@	@	
,	0	,	0	@	@	
,	0	,	0	@	@	
,	0	,	0	@	@	
,	0	,	0	@	@	
,	0	,	0	@	@	
,	0	,	0	@	@	
,	0	,	0	@	@	
,	0	,	0	@	@	
,	0	,	0	@	@	
,	0	,	0	@	@	
,	0	,	0	@	@	
,	0	,	0	@	@	
,	0	,	0	@	@	
,	0	,	0	@	@	
,	0	,	0	@	@	
,	0	,	0	@	@	
,	0	,	0	@	@	
,	0	,	0	@	@	
,	0	,	0	@	@	
,	0	,	0	@	@	
,	0	,	0	@	@	
,	0	,	0	@	@	
,	0	,	0	@		



TD356 Series

SOP4, DC Input Photo Transistor Coupler

CHARACTERISTICS - ES

Fig. 1 Forward Current vs. Ambient Temperature

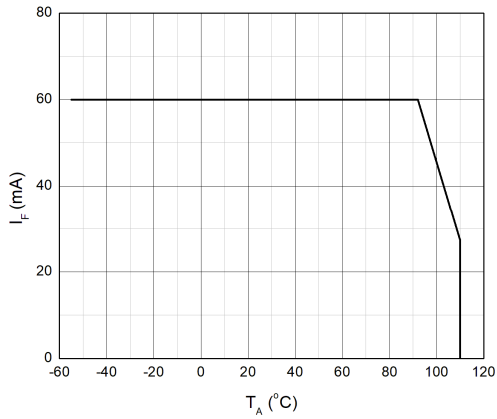


Fig. 2 Collector Power Dissipation vs. Ambient Temperature

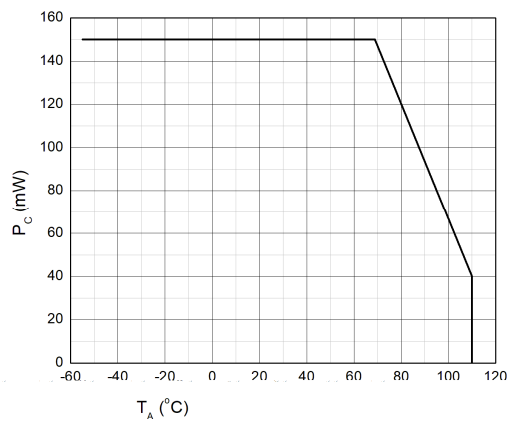


Fig. 3 Forward Current vs. Forward Voltage

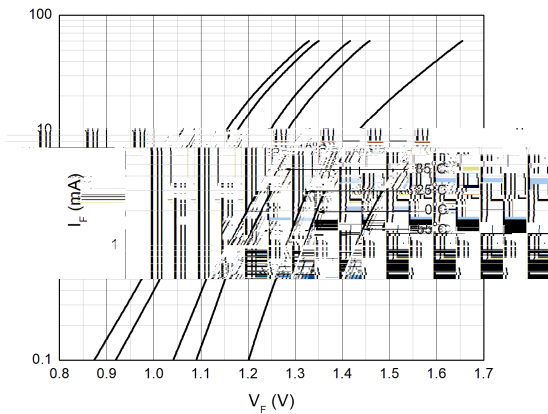


Fig. 4 Collector Dark Current vs. Ambient Temperature

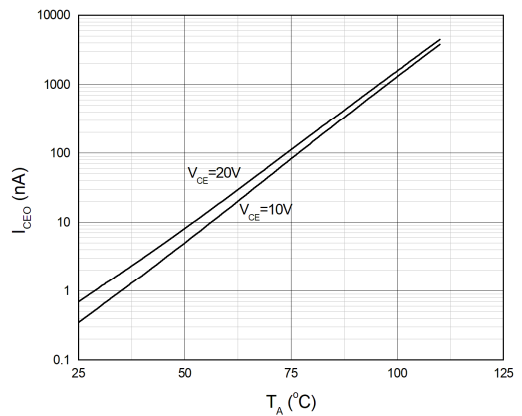


Fig. 5 Collector Current vs. Collector-Emitter Voltage

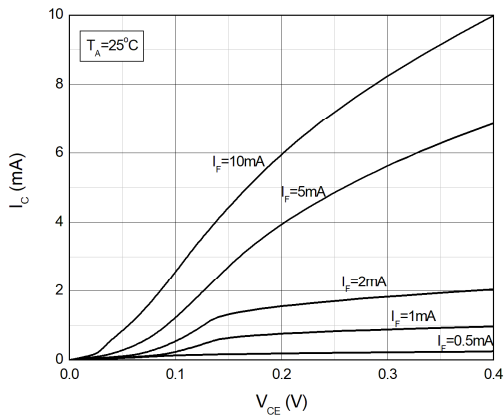
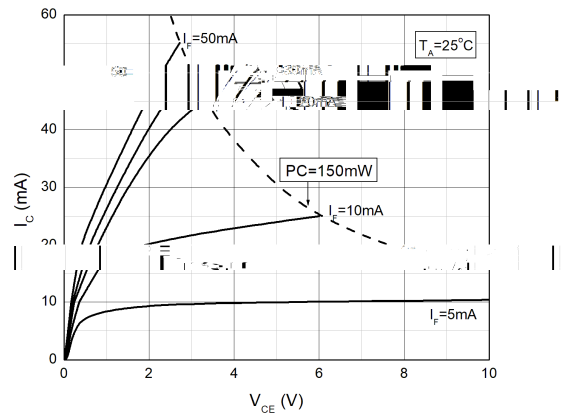


Fig. 6 Collector Current vs. Collector-Emitter Voltage





TD356 Series

SOP4, DC Input Photo Transistor Coupler

CHARACTERISTICS - ES

Fig. 5 Normalized Current Transfer Ratio vs. Forward Current

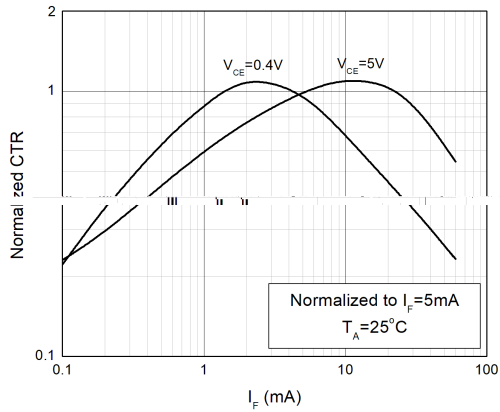


Fig. 8 Normalized Current Transfer Ratio vs. Ambient Temperature

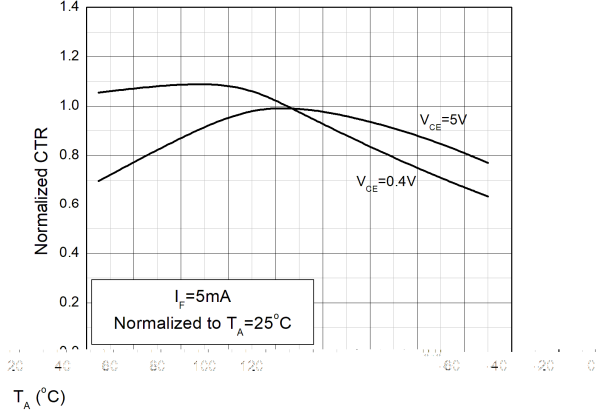


Fig. 9 Collector-Emitter Saturation Voltage vs. Ambient Temperature

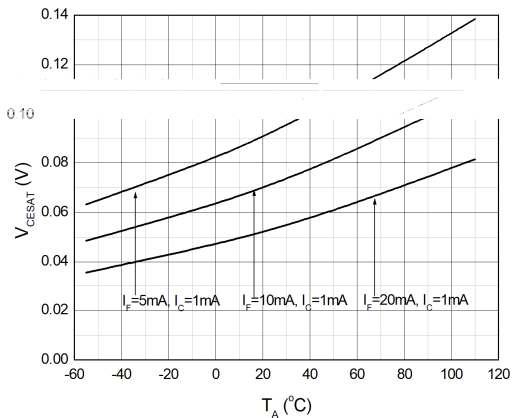


Fig. 10 Switching Time vs. Load Resistance

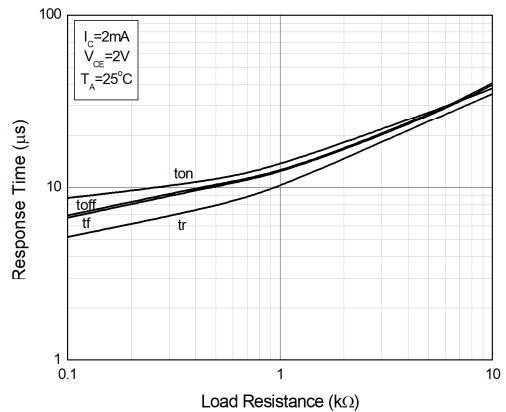
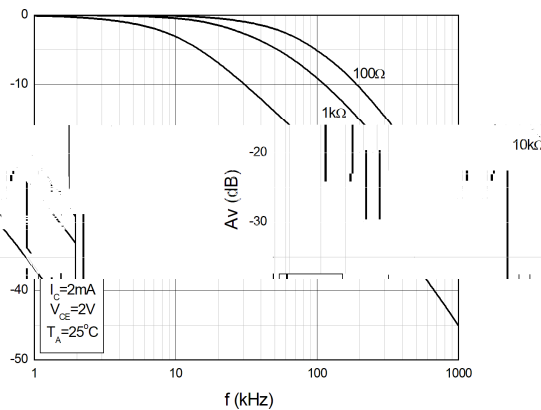


Fig. 11 Frequency Response





TD356 Series

SOP4, DC Input Photo Transistor Coupler

TEST CIRCUITS

Fig. 12 Test Circuit of τ_{on} Time

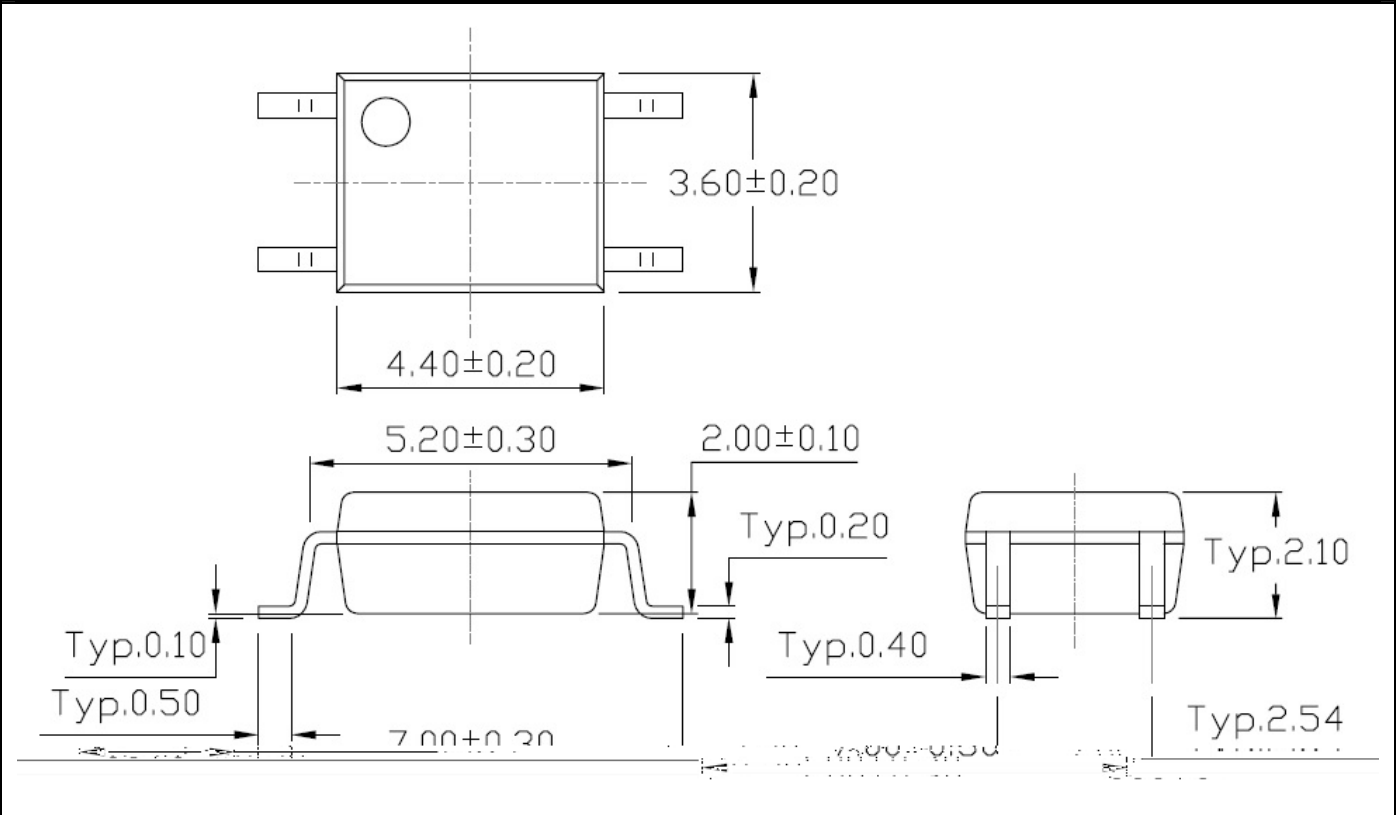
Fig. 13 Test Circuit of τ_{off} Time



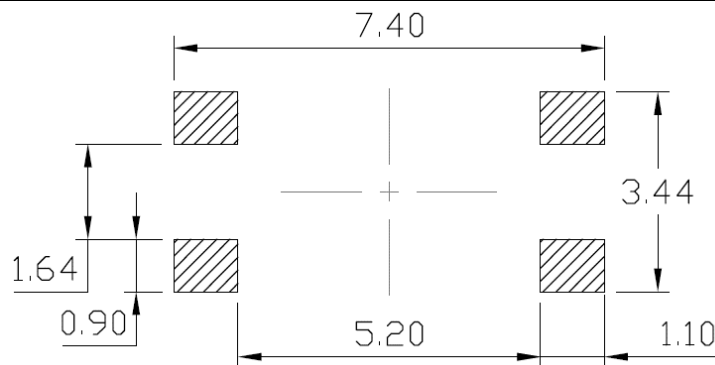
TD356 Series

SOP4, DC Input Photo Transistor Coupler

PAC A! E DIMENSIONS (Dimension\$ in mm & nle\$\$ other / ise \$stated=



Recommended Solder Mask (Dimension\$ in mm & nle\$\$ other / ise \$stated=



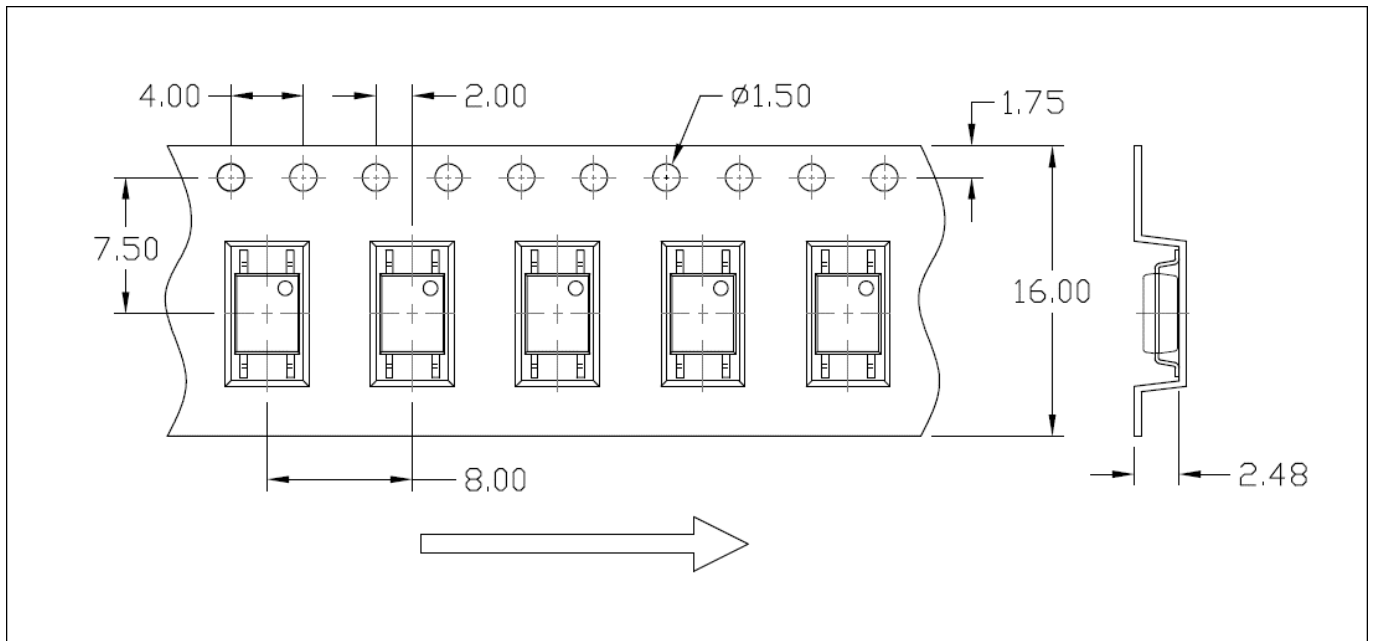


TD356 Series

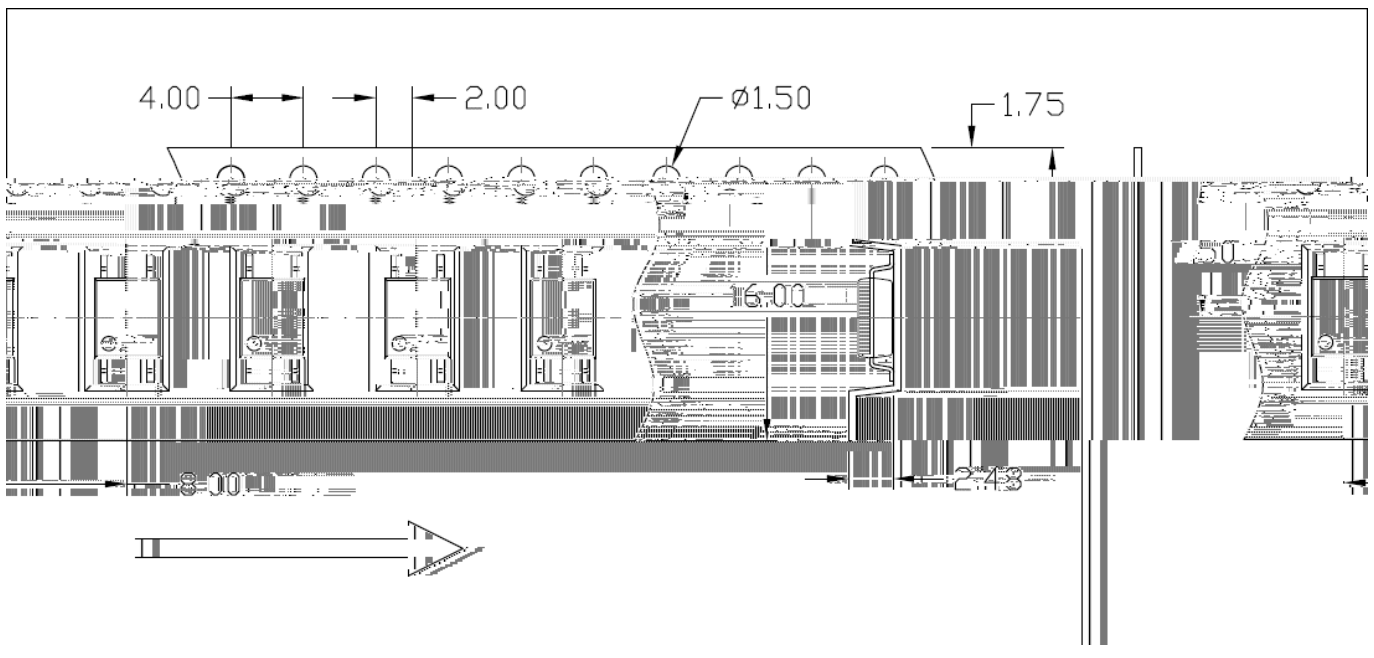
SOP4, DC Input Photo Transistor Coupler

TAPE SPECIFICATIONS (Dimension\$ in mm & nle\$\$ other / i\$e \$tated=

Option T1



Option T2



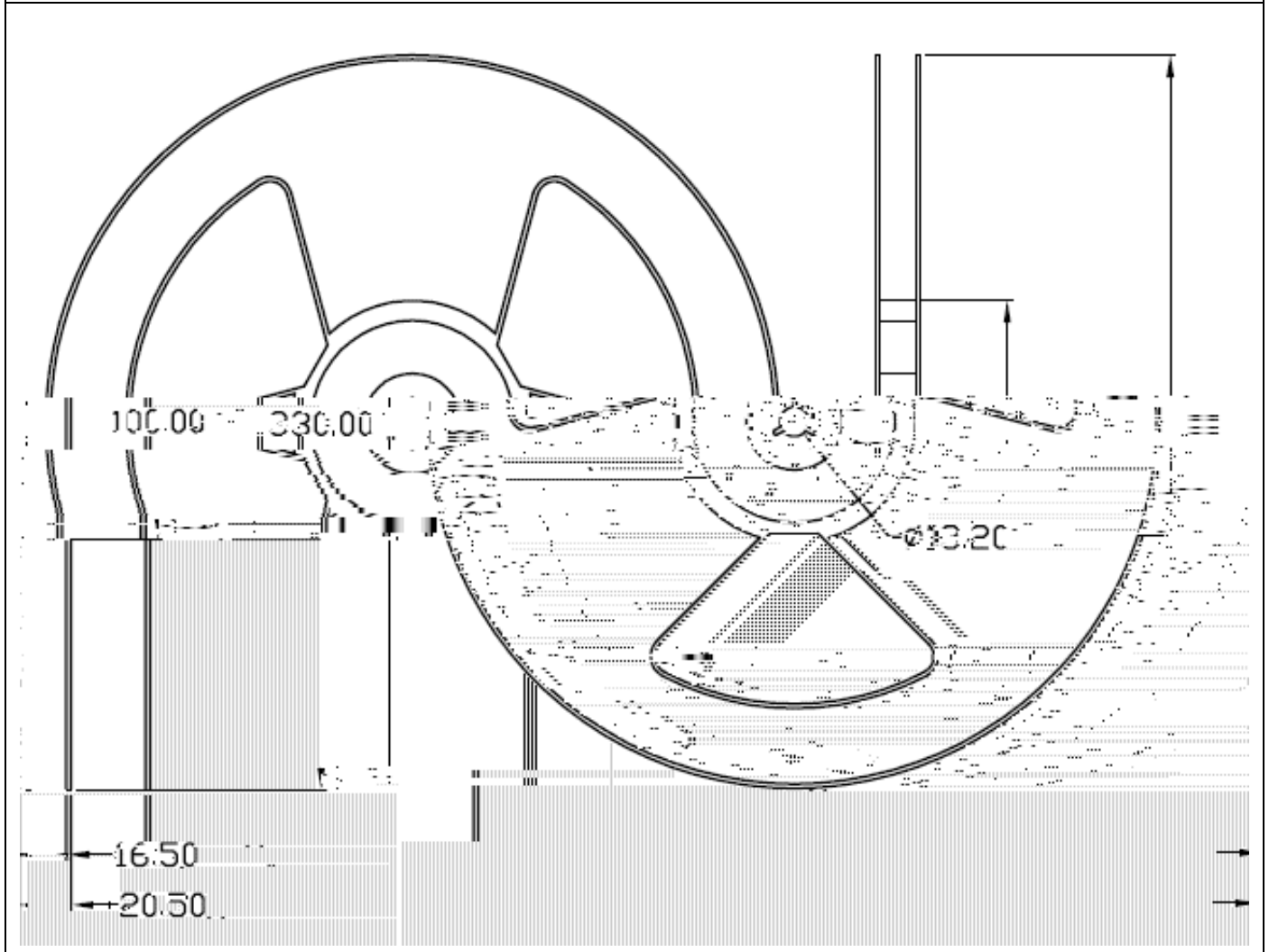


TD356 Series

SOP4, DC Input Photo Transistor Coupler

MECHANICAL SPECIFICATIONS (Dimensions in mm unless otherwise stated)

Option T1 > T2





TD356 Series

SOP4, DC Input Photo Transistor Coupler

TABLE 1. ELECTRICAL SPECIFICATIONS (V_{CC} = 5V)

Inner Pin

1 2 3 2" * - 2 - 2 -

Outer Pin

1 2 3 2" * + 2 4 2 4



TD356 Series

SOP4, DC Input Photo Transistor Coupler

OPERATIONAL INFORMATION

OPERATIONAL INFORMATION

Profile Feature

Sn3P1 Assembly Profile

P13Free Assembly



TD356 Series

SOP4, DC Input Photo Transistor Coupler

DISC#AIME)									
2> & 4>4	%		<	\$	\$		" 2> & 4>4		
	%	!					"		
		%							
	"								
2> & 4>4	!			\$					
							"	-	
-				\$ 2> & 4>4	5 7				
				\$ 5 7		\$			\$
				\$ 5 7			\$		
<									
		\$ <	\$		% \$	1%	<	\$	
			\$.			"		
					\$	\$	% \$	\$	
%							L	"	
	2> & 4>4						<	"	
>							"		
	%		%					%	
%	"		\$			\$	%		
				-	"			-	
	2> & 4>4					\$			
-	"								
				!		\$.	">	
				"					