



SOP4, DC Input Photo Transistor Coupler

Description

#

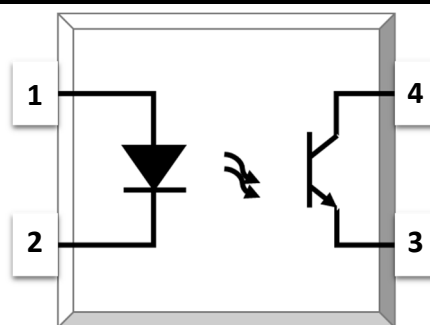
Features

& ' () * +
 , * - %
 ,
 . / ,
 * 1 , &
 &
 + 2 0
 * %
 32 . 320 ''
) 1 . 14 (' ' . . 5) 1 (66 . 7
 , 8 , 9 : ; "0\$:66;6

Applications

-
-
- &
- <

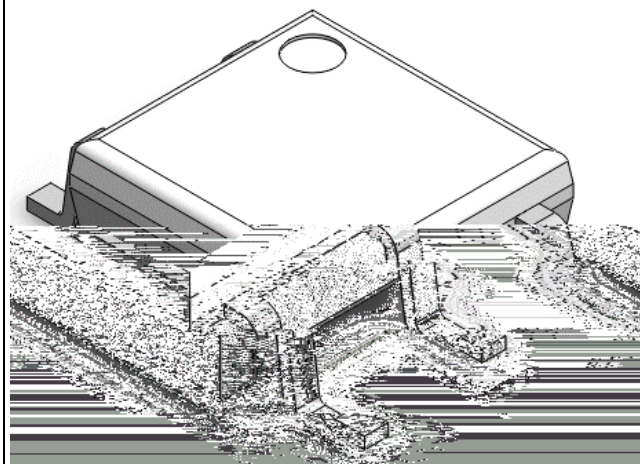
SCHEMATIC



PIN DEFINITION

1. Anode
2. Cathode
3. Emitter
4. Collector

PAC A! E O "T#INE





SOP4, DC Input Photo Transistor Coupler

A ' SO# " TE MA (IM " M) ATIN ! S				
* +1 1 *	=+ : 2) 231	34>	4 1
>4 3				
? ,	>?	(
! ? ,	>?	0		0
* %)) *)	
>	>	0((#	
3 3				
, . 1)), 1	6()	
1 . ,)) 1,	')	
, ,	> ,	(
		0 (#	
, ++ 4				
		@((#	
>))	((()	@
		. A00(/ ,	
		. A0@	/ ,	
		@ (/ ,	

Note 1. 100µs pulse! 100" # \$re%uency

Note 2. &' (or 1) inute! R." . * +0 , -0.



E#ECT) ICA# OPTICA# CHA) ACTE) ISTICS at Ta*2+,C						
* +1 1*	=+ : 2	+>4	= " + B" 34>	1 , 4 > > 4	4 1	
>4 3						
?))?	.	0"@ 0"))	>?C0(
* % ,	>*	.	. 0(D) *C)		
> ,	,	.	0(. ?)C(\$ CO!&E		
3 3						
, ! ,	>,1	.	. 0(() , 1C@()\$>?C(
, .1 : !)	:) ,1	6(. .)	>, C("0 \$>?C(
1 ' , : !)	:) 1,	' . .)	>1C("0 \$>?C(
* 4 ?1* , & * , 1*> > ,						
,	:	,	,	*	F	>?C \$) , 1C)
0	:0	,0	0	@		
0	0	0	@	@		
0	0	@	@	@		
,), 15 7	.	(" ("@)))	>?C@ (\$ > , CO	
> *	* ,	0(GO@ 0(GO	. H) , (()\$ (A (F * "&"		
?	, >	.	(" 0 ?)C(\$ CO+&E		
, . ? <		.	6(. !&E) , 1C@)\$> , C@		
* 5* 7		.	06 D) , 1C@)\$> , C@		
* 5? 7		.	06 D	*2CO((H		

Note 3. (i/.12013

Note +. (i/.1+



CHARACTERISTICS - ES

Fig. 1 Forward Current vs. Ambient Temperature

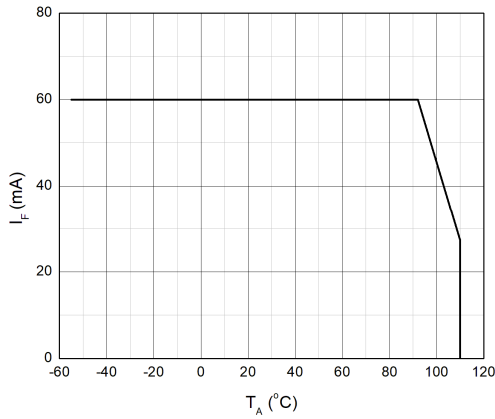


Fig. 2 Collector Power Dissipation vs. Ambient Temperature

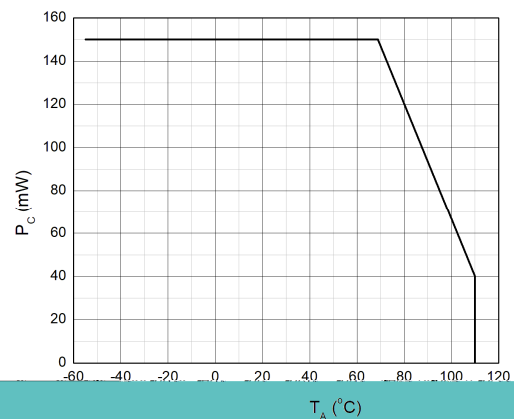


Fig. 3 Forward Current vs. Forward Voltage

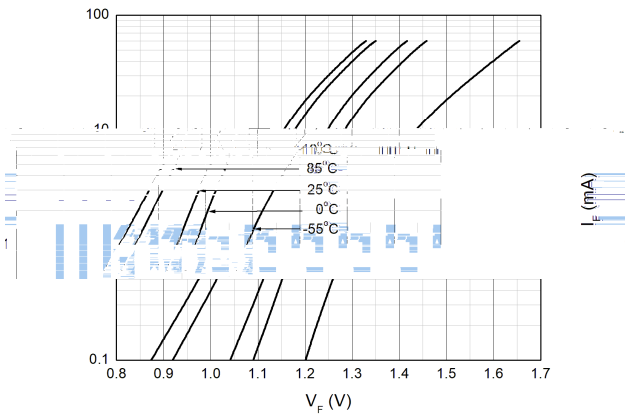


Fig. 4 Collector Dark Current vs. Ambient Temperature

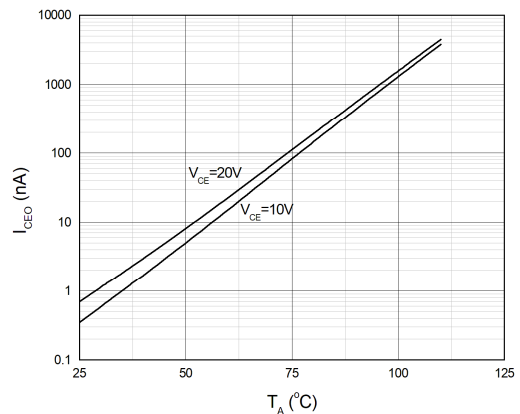


Fig. 5 Collector Current vs. Collector-Emitter Voltage

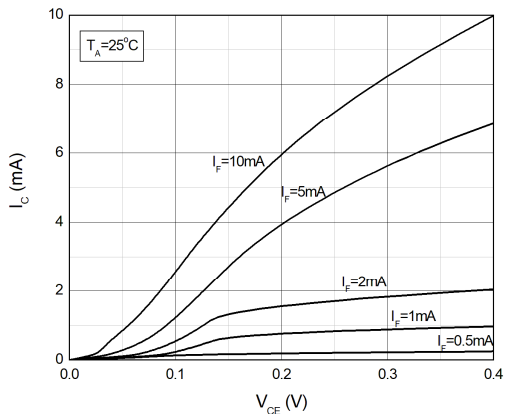
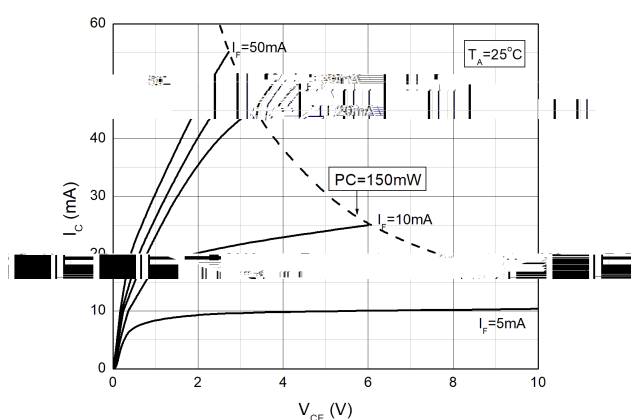


Fig. 6 Collector Current vs. Collector-Emitter Voltage





CHARACTERISTICS - ES

Fig. 5 Normalized Current Transfer Ratio vs. Forward Current

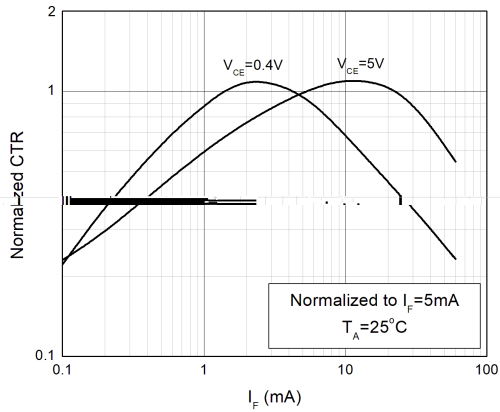


Fig. 8 Normalized Current Transfer Ratio vs. Ambient Temperature

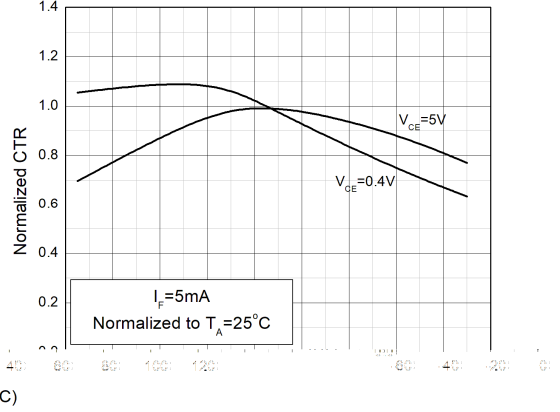


Fig. 9 Collector-Emitter Saturation Voltage vs. Ambient Temperature

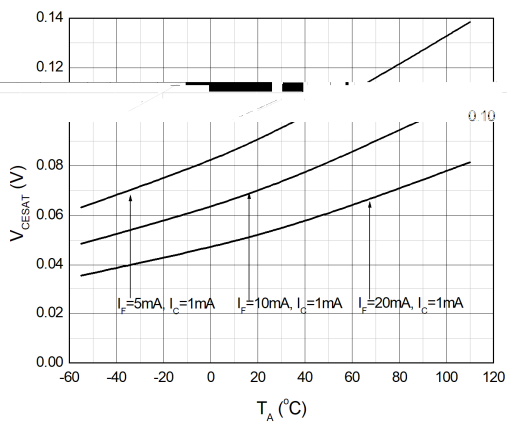


Fig. 10 Switching Time vs. Load Resistance

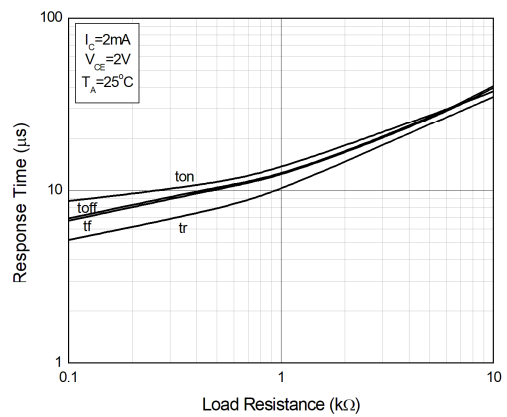
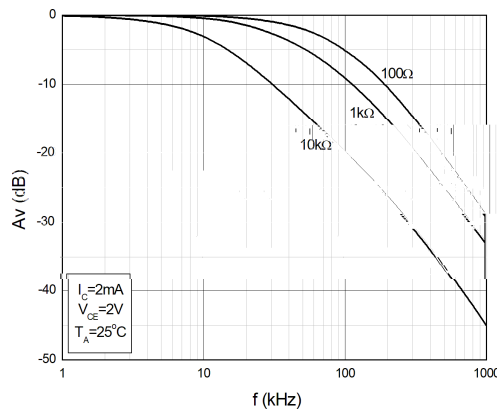


Fig. 11 Frequency Response





TEST CIRCUITS

Fig. 12 Test Circuit of Rise Time

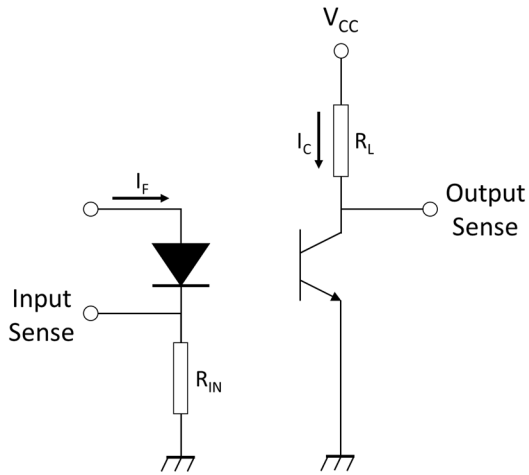


Fig. 13 Characteristic of Rise Time

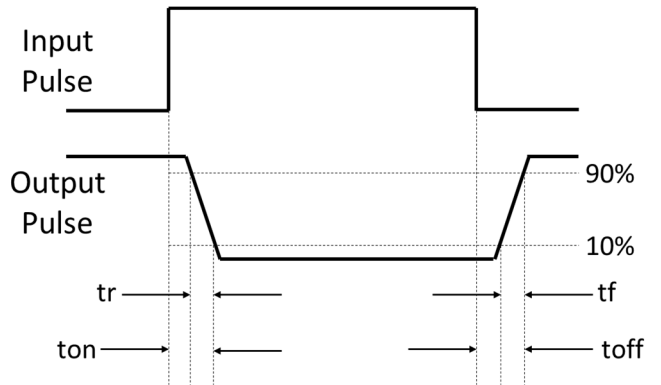
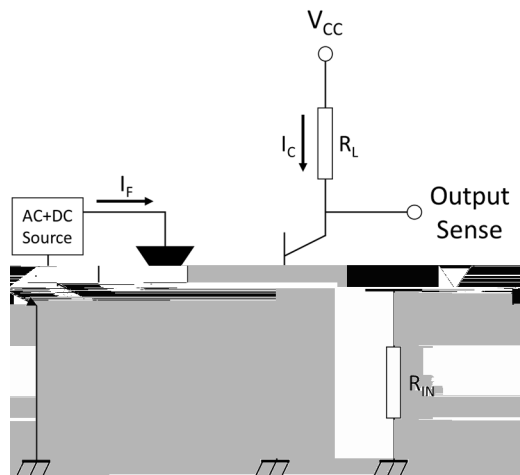
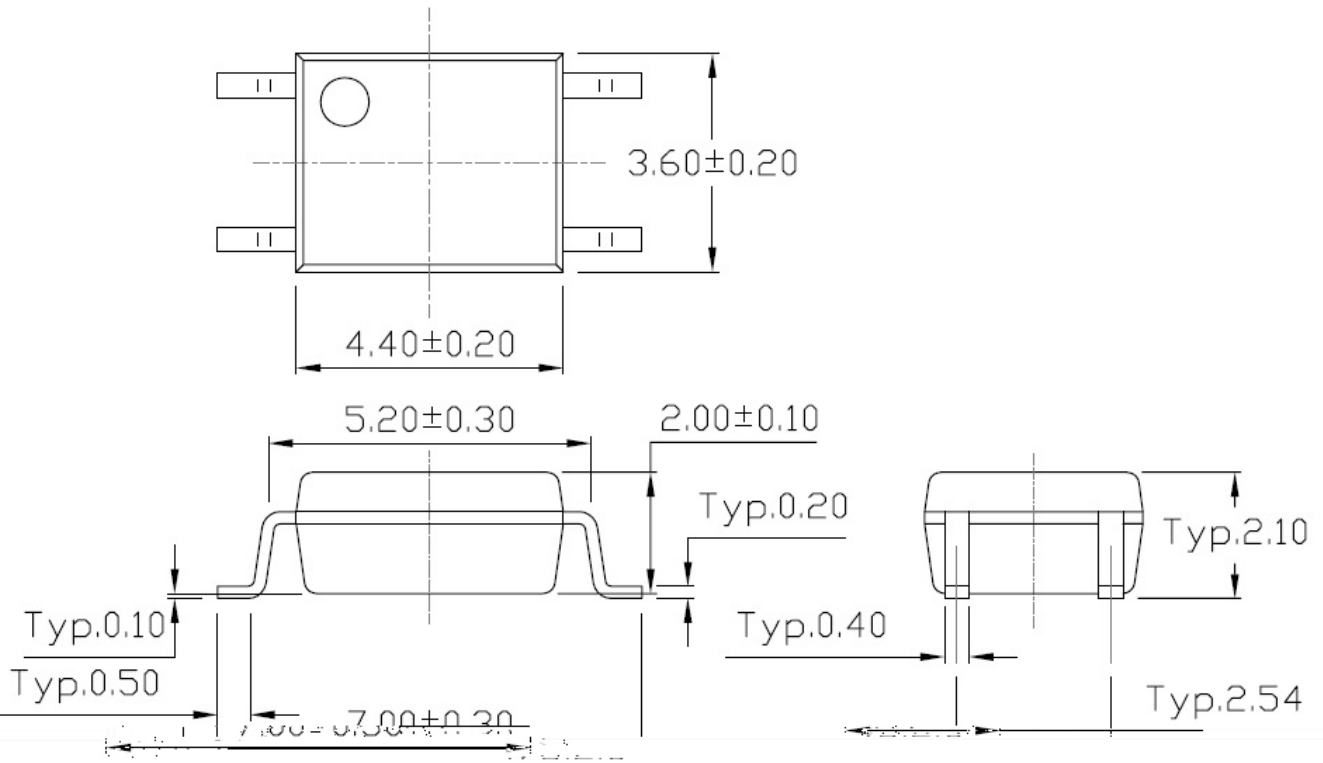


Fig. 14 Test Circuit of Frequency

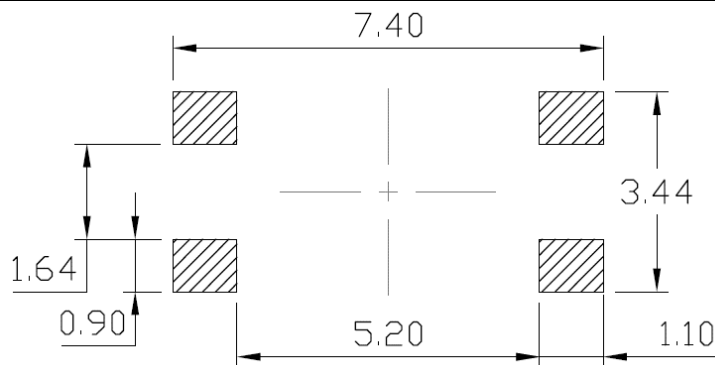




PACKAGE DIMENSIONS (Dimensions in mm unless otherwise stated)



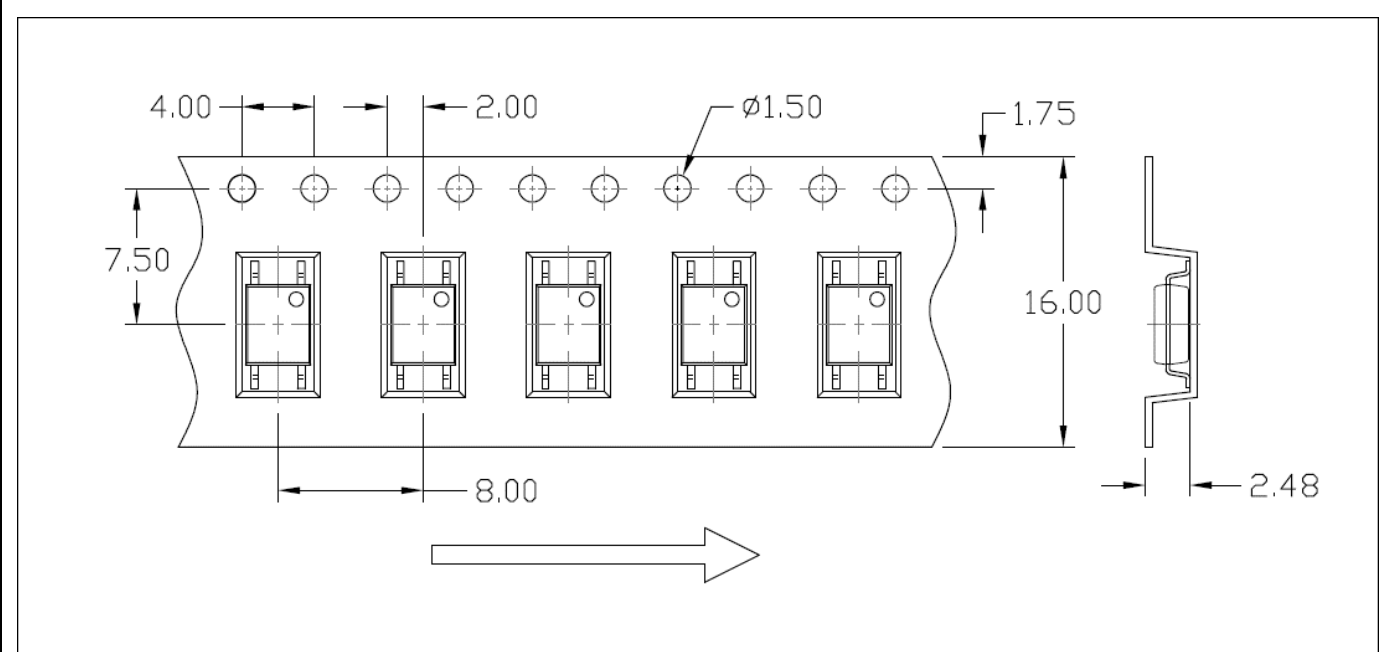
Recommended Solder Mask (Dimensions in mm unless otherwise stated)



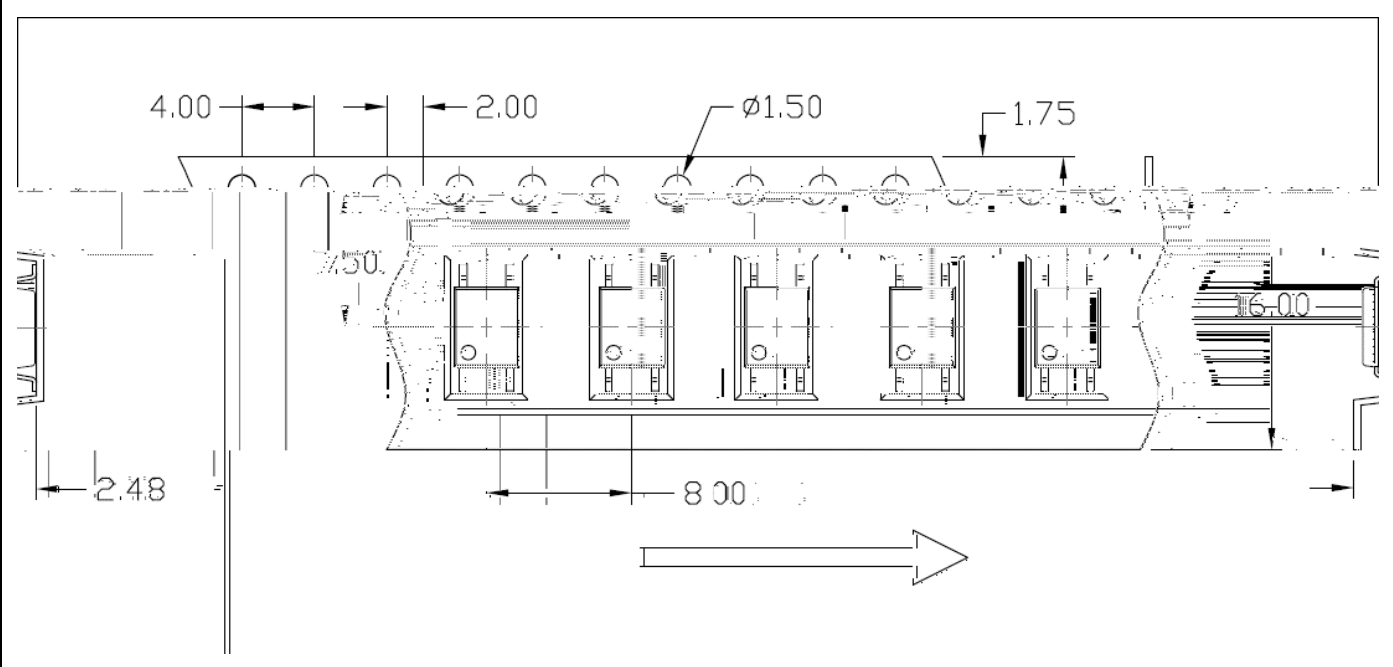


TAPE SPECIFICATIONS (Dimension\$ in mm &nle\$\$ other / i\$e \$tated=

Option T1



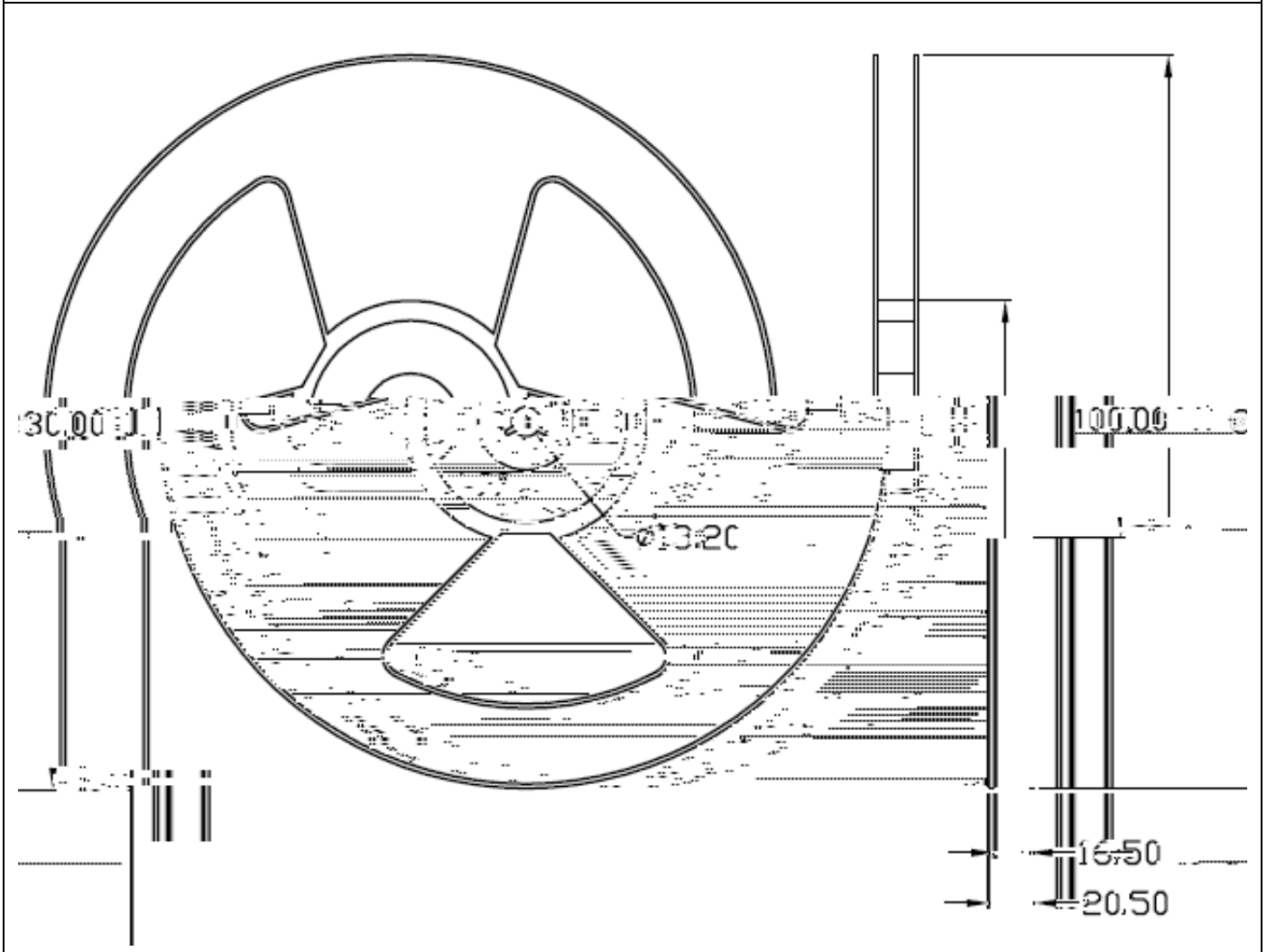
Option T2





MECHANICAL SPECIFICATIONS (Dimensions in mm unless otherwise stated)

Note: T1 > T2

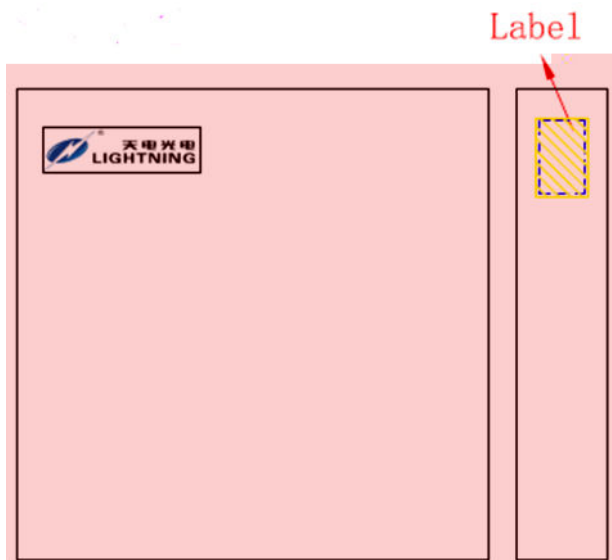




SOP4, DC Input Photo Transistor Coupler

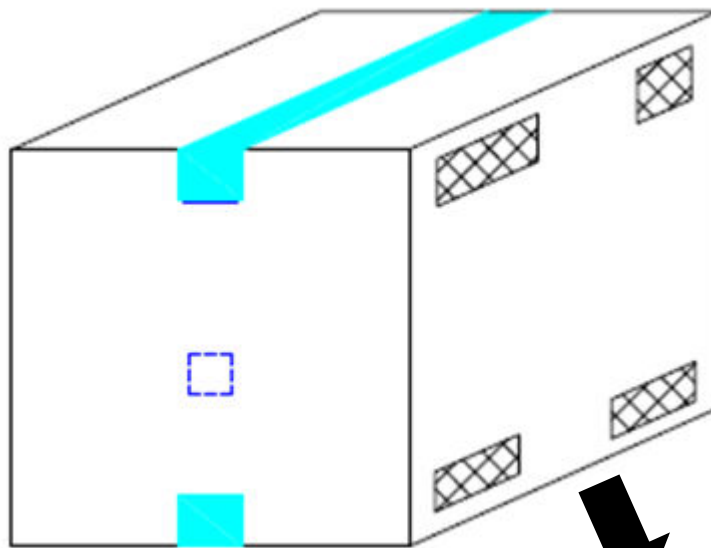
Inner Specifications

Inner box

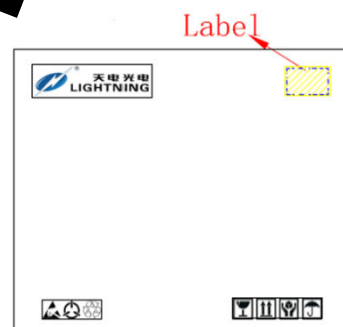


1232" * 3-cm 23-cm 2-.9cm

Outer box



1232" * +5cm 234cm 234cm





SOP4, DC Input Photo Transistor Coupler

OBJECT INFORMATION

OBJECT PROFILE

Empty table content

Profile Feature

Sn3P1 Assembly Profile

P13Free Assembly



SOP4, DC Input Photo Transistor Coupler

DISC#AIME)

2> & 4>4	%	<	\$	\$	" 2> & 4>4
%	!			"	
	%				
"					
2> & 4>4	!	\$			" -
-		\$ 2> & 4>4	5 7		
		\$ 5 7	\$		\$
<		\$ 5 7		\$	
		\$ <	\$	% \$!% < \$
		\$.		"
		\$	\$	% \$	\$
%				L	"
2> & 4>4				<	"
>				"	
%	%	%			%
%	"	\$		\$	%
			-	"	-
2> & 4>4				\$	
-	"				
		!		\$. ">
		"			