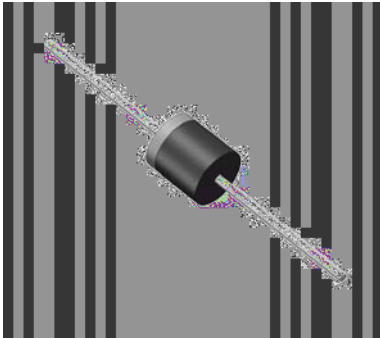


Schottky Diodes

Features



Typical Applications

Mechanical Data

Package



Terminals

Polarity

Maximum Ratings

PARAMETER	SYMBOL	UNIT	20SQ045

NOTE

Electrical Characteristics

PARAMETER	SYMBOL	UNIT	TEST CONDITIONS	20SQ045

Thermal Characteristics

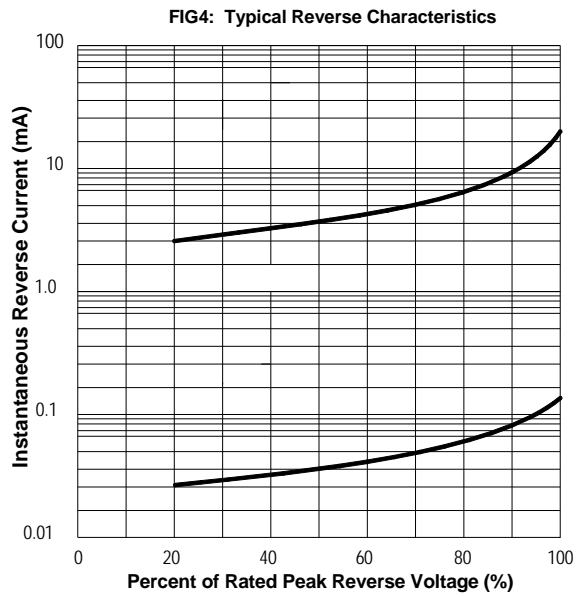
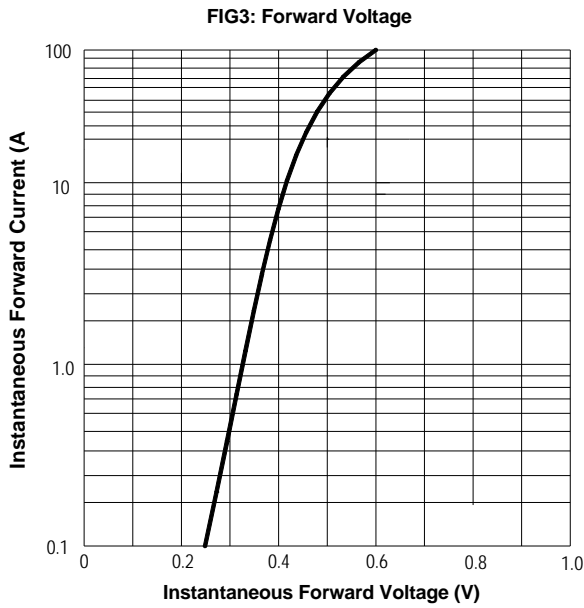
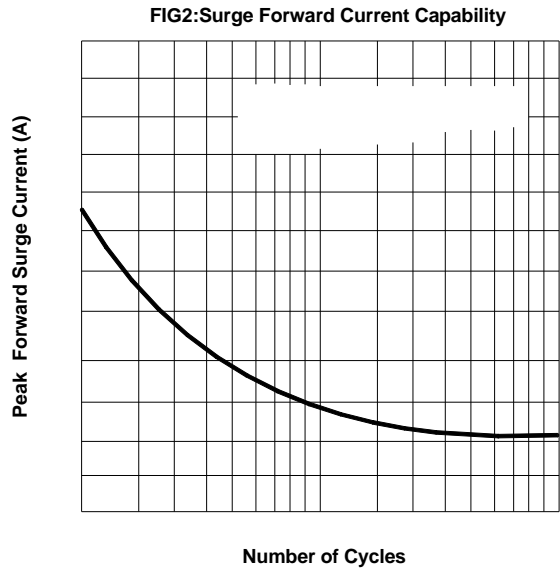
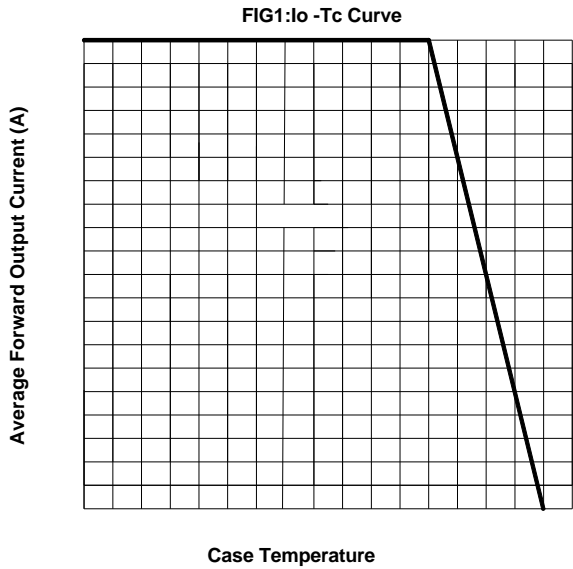
PARAMETER	SYMBOL	UNIT	20SQ045



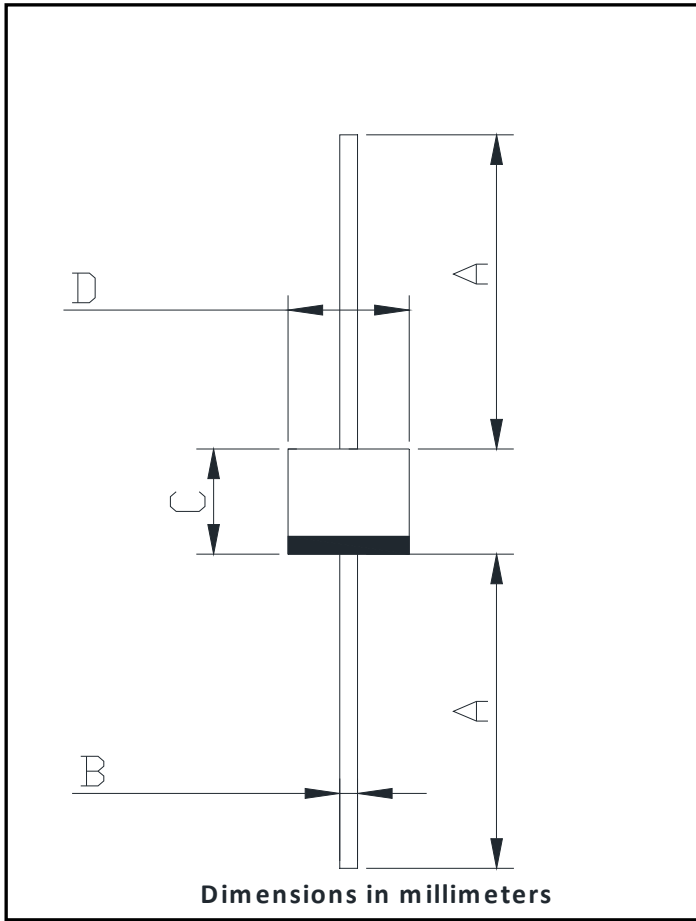
Ordering Information

PREFERED P/N	UNIT WEIGHT(g)	MINIIMUM PACKAGE(pcs)	INNER BOX QUANTITY(pcs)	OUTER CARTON QUANTITY(pcs)	DELIVERY MODE

Characteristics



Outline Dimensions



R-6		



20SQ045

Disclaimer

www.frxelec.com