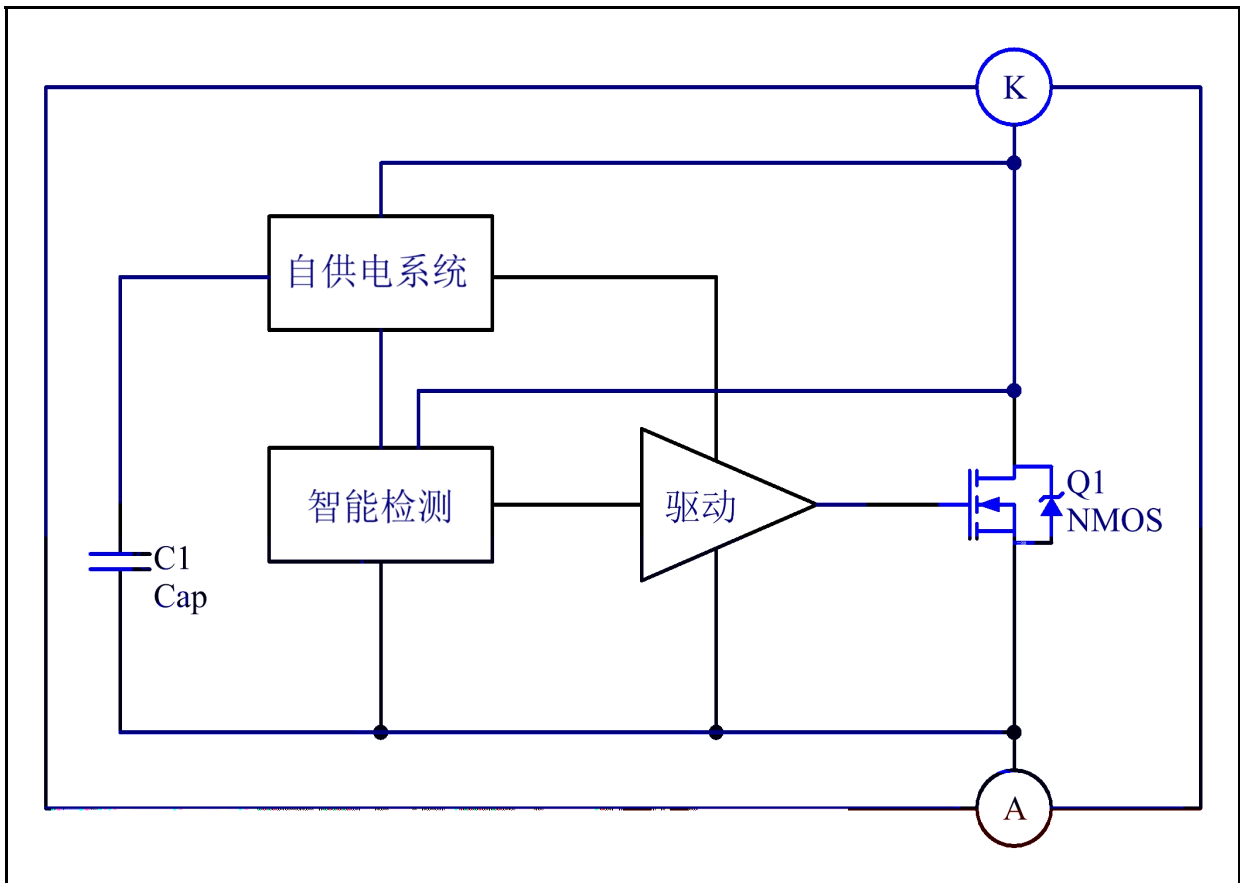




|            |           |          |
|------------|-----------|----------|
| DK5V60R20S | 85-265VAC | 9V, 2.4A |
|------------|-----------|----------|



|  |  |  |  |  |  |
|--|--|--|--|--|--|
|  |  |  |  |  |  |
|  |  |  |  |  |  |
|  |  |  |  |  |  |
|  |  |  |  |  |  |
|  |  |  |  |  |  |
|  |  |  |  |  |  |
|  |  |  |  |  |  |
|  |  |  |  |  |  |
|  |  |  |  |  |  |
|  |  |  |  |  |  |

|      |  |  |  |  |  |  |
|------|--|--|--|--|--|--|
|      |  |  |  |  |  |  |
|      |  |  |  |  |  |  |
|      |  |  |  |  |  |  |
|      |  |  |  |  |  |  |
|      |  |  |  |  |  |  |
| &    |  |  |  |  |  |  |
|      |  |  |  |  |  |  |
|      |  |  |  |  |  |  |
|      |  |  |  |  |  |  |
|      |  |  |  |  |  |  |
|      |  |  |  |  |  |  |
|      |  |  |  |  |  |  |
| NMOS |  |  |  |  |  |  |
|      |  |  |  |  |  |  |

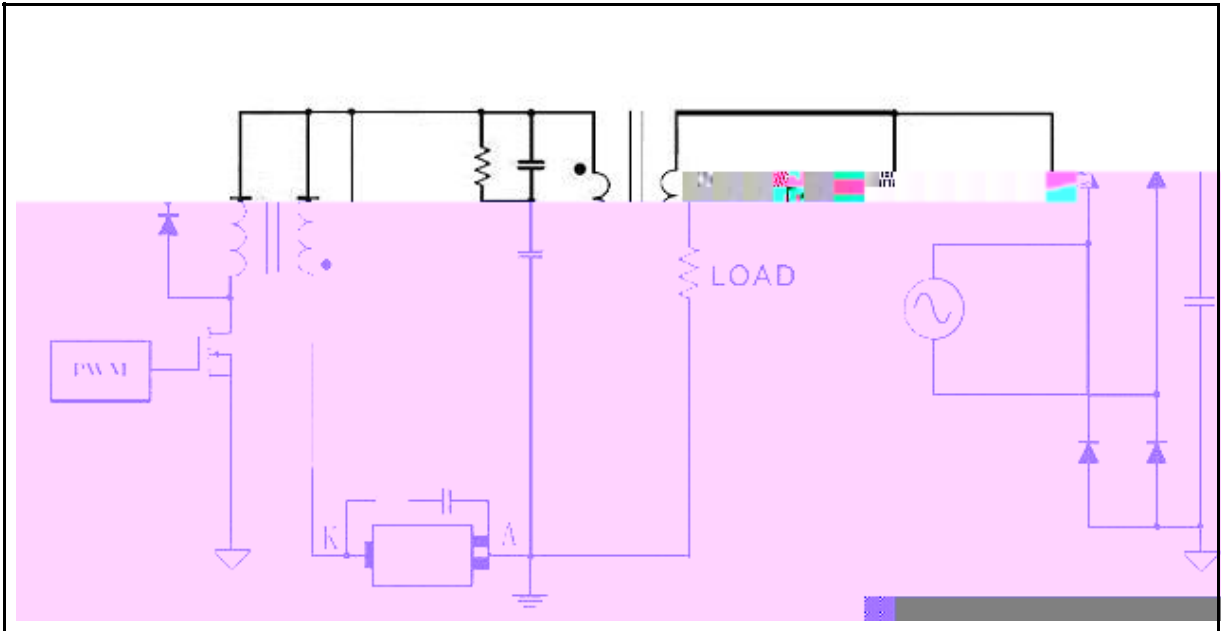
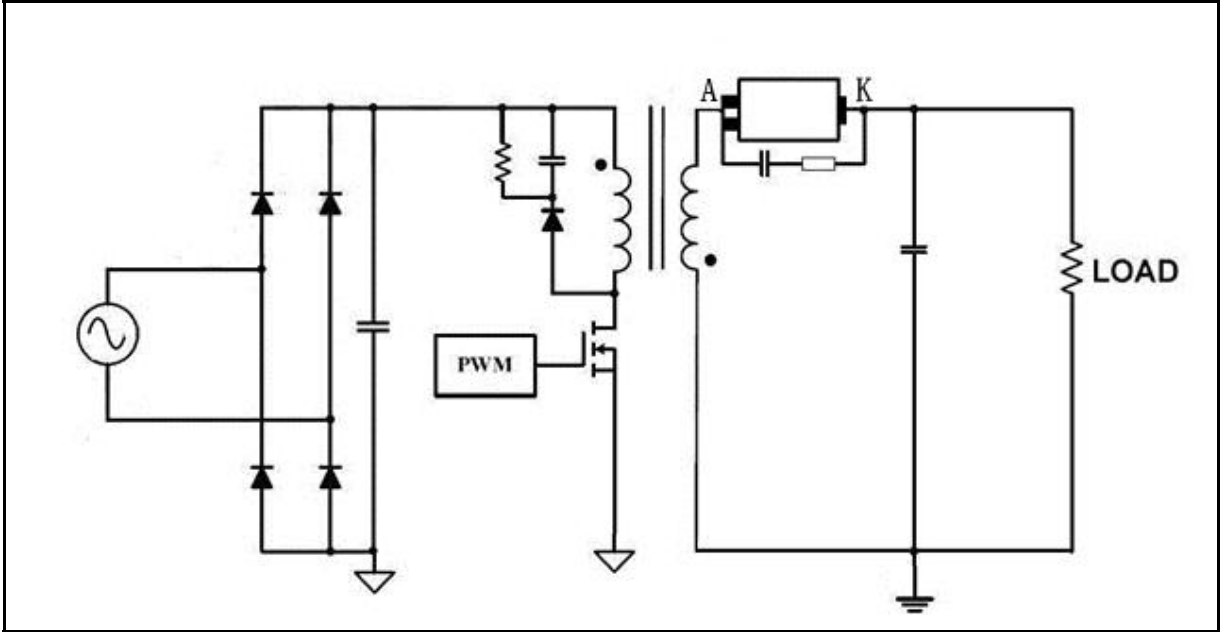
NMOS

RC

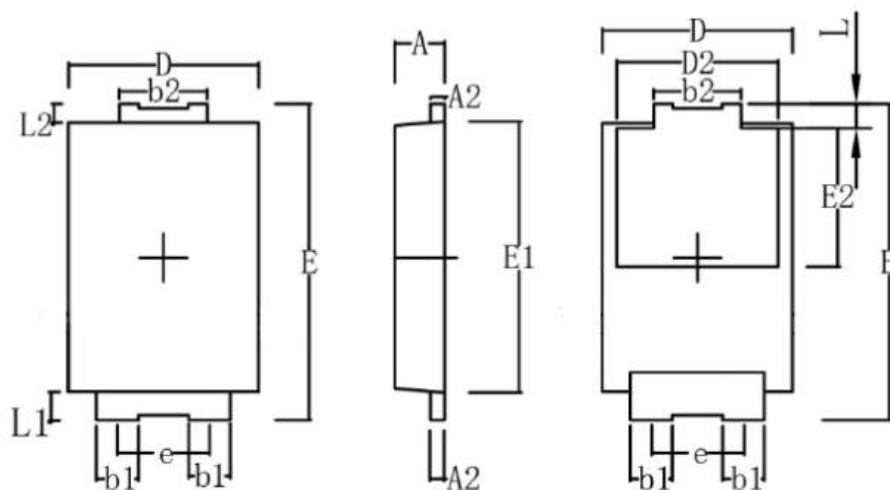
NMOS

●

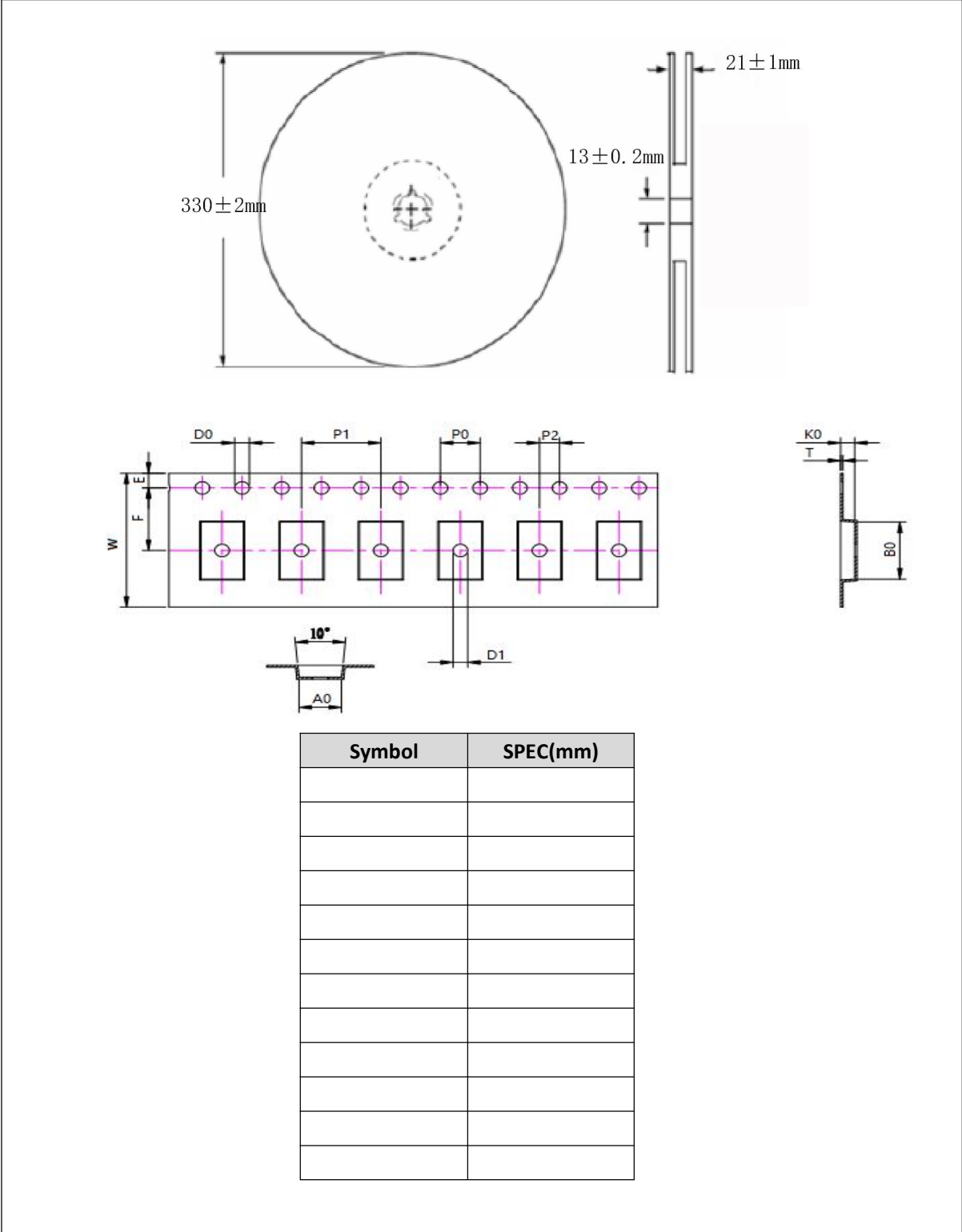
●

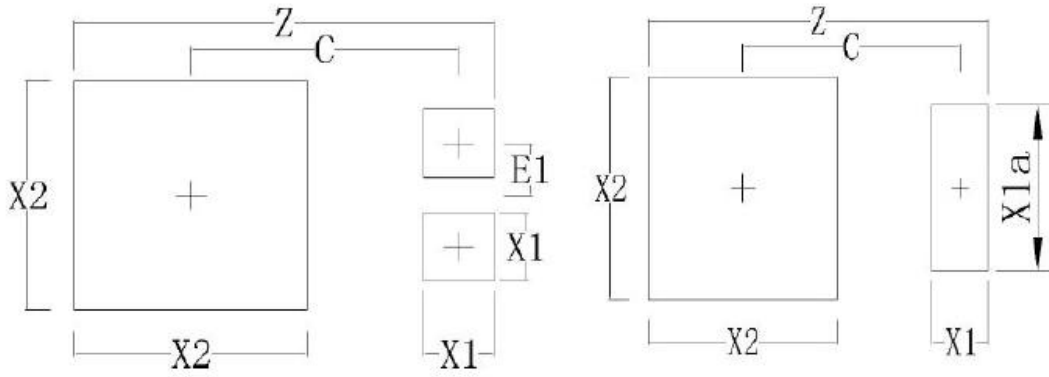


SM-7



| Symbol | Dimensions In Millimeters |     |
|--------|---------------------------|-----|
|        | Min                       | Max |
|        |                           |     |
|        |                           |     |
|        |                           |     |
|        |                           |     |
|        |                           |     |
|        |                           |     |
|        |                           |     |
|        |                           |     |
|        |                           |     |
|        |                           |     |
|        |                           |     |
|        |                           |     |
|        |                           |     |
|        |                           |     |
|        |                           |     |
|        |                           |     |
|        |                           |     |





| Symbol | Dimensions In Millimeters |
|--------|---------------------------|
|        |                           |
|        |                           |
|        |                           |
|        |                           |
|        |                           |
|        |                           |





- 
- 
- 
- 
- 
- 
- 
  
-