



# ORIENT

## Photocoupler

### Product Data Sheet

Name: ORPC-817

Customer: \_\_\_\_\_

Date: \_\_\_\_\_



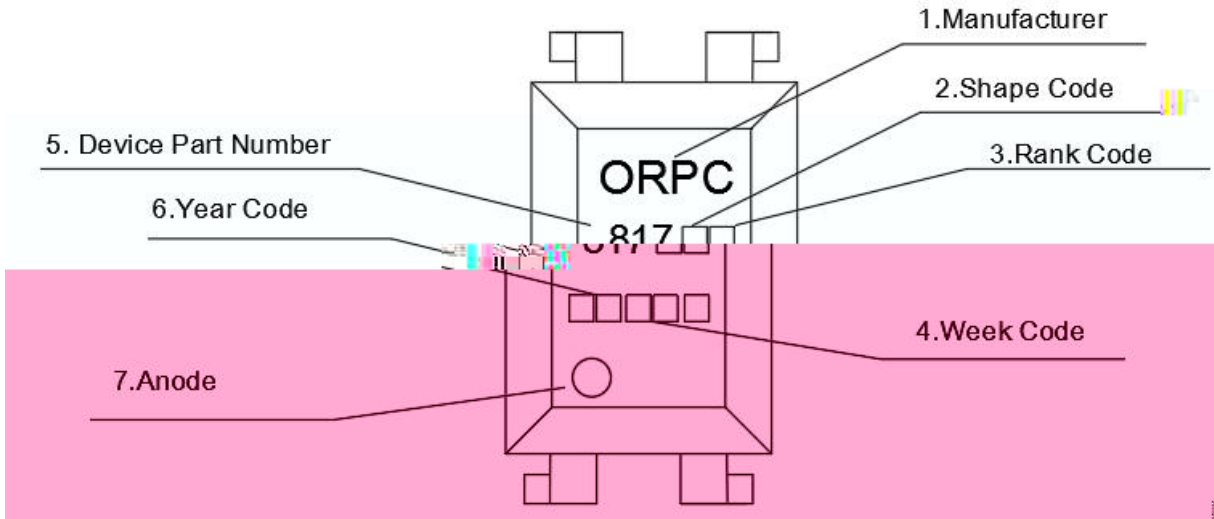
			mA
			A
			V
			mW
			V
			mA
			mW
			mW
			Vrms
			V
			V

( )

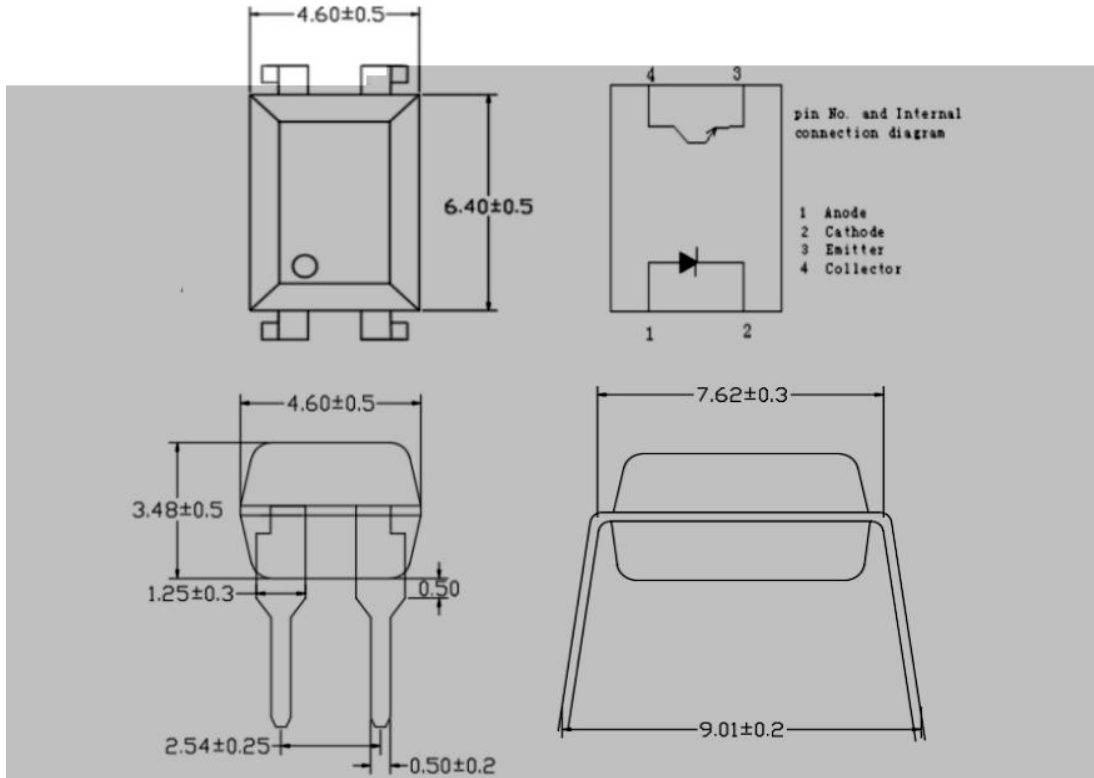
					.*		
	Forward Current	$V_F$	$I_F=20mA$	---	1.2	1.4	V
	Reverse Voltage	$I_R$	$V_R=4V$	---	---	10	$\mu A$
	Collector capacitance	$C_t$	$V=0, f=1KHz$	---	30	250	pF
	Collector to emitter Current	$I_{CEO}$	$V_{CE}=20V,$ $I_F=0mA$	---	---	100	nA
	Collector and Emitter attenuation Voltage	$BV_{CEO}$	$I_C=0.1mA$ $I_F=0mA$	80	---	---	V
	Emitter and Collector attenuation Voltage	$BV_{ECO}$	$I_E=0.1mA$ $I_F=0mA$	6	---	---	V
	*1 Current conversion ratio	CTR		50	---	1000	%
	Collector Current	$I_C$	$I_F=5mA$ $V_{CE}=5V$	2.5	---	50	mA
	Collector and Emitter Saturation Voltage	$V_{CE(sat)}$	$I_F=20mA$ $I_C=1mA$	---	0.1	0.2	V
	Insulation Impedance	$R_{iso}$	DC500V 40~60%R.H.	---	$1 \cdot 10^{12}$	---	$\Omega$
	Floating Capacitance	$C_f$	$V=0, f=1MHz$	---	0.6	1.0	pF
	Cut-off Frequency	$f_c$	$V_{CE}=5V,$ $I_C=2mA$ $R_L=100\Omega, -3dB$	---	80	---	kHz
	Rise Time	$t_r$	$V_{CE}=2V,$ $I_C=2mA$	---	4	18	$\mu s$
	Descend Time	$t_r$	$R_L=100\Omega$	---	3	18	$\mu s$




Note: Working condition:  $I_F=5\text{mA}$ ,  $V_{CE}=5\text{V}$ ,  $T_a=25$  .



( ) -



( ) -

